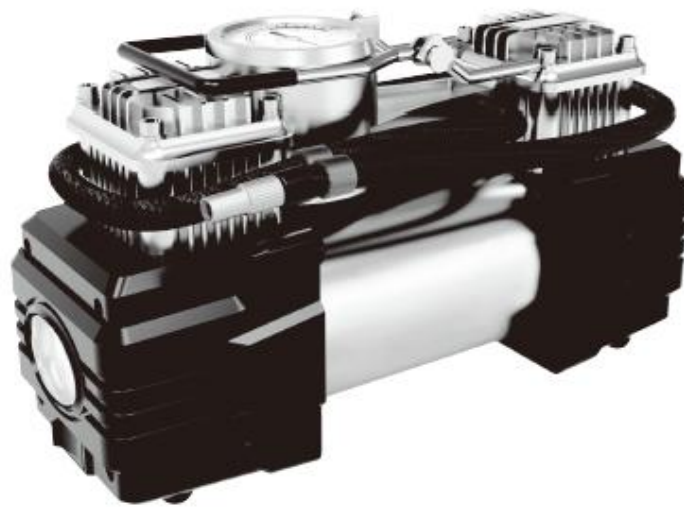


**deli**

# User Instruction Manual

**Auto Air Compressor**  
(double-cylinder mechanical)

DL8059

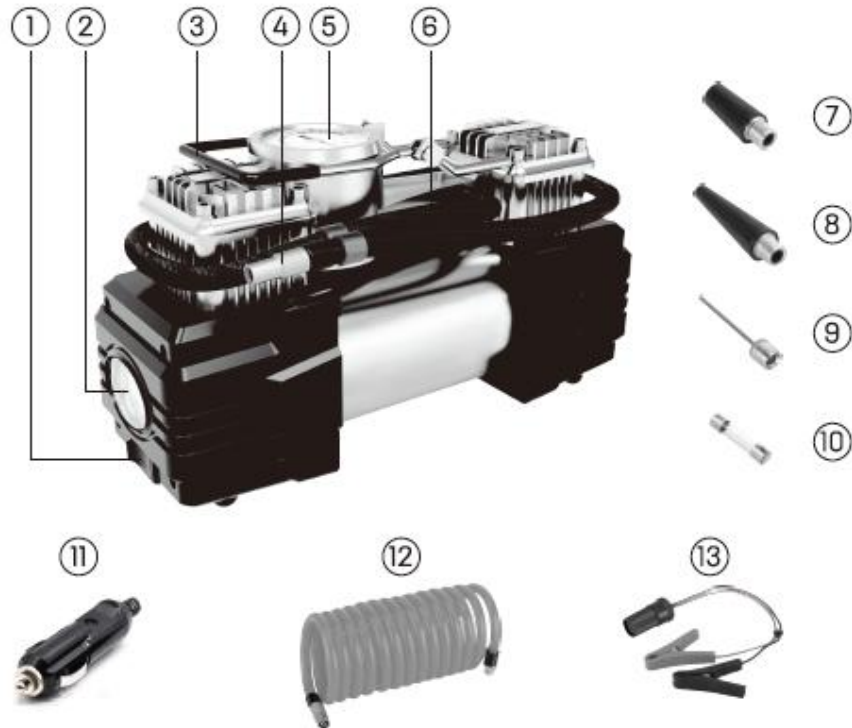


## 1. Graphic introduction

---

Dear user:

Thank you for choosing our products. Please read the user manual carefully before using this product to obtain satisfactory results.



- |                                |                                |
|--------------------------------|--------------------------------|
| 1 Switch                       | 8 Accessory - Large air nozzle |
| 2 LED light                    | 9 Accessory - Ball needle      |
| 3 Handle                       | 10 Spare Fuse                  |
| 4 Air nozzle                   | 11 Cigar lighter               |
| 5 Air pressure gauge           | 12 10 Feet spiral air hose     |
| 6 Air tube                     | 13 Battery clamp               |
| 7 Accessory - Small air nozzle |                                |

## 2. Product Description

---

This product uses  $\Phi 30$  mm double cylinder that is featured with large output volume, fast inflation, and wide range of application.

1. It is suitable for 12V-output sedans, commercial vehicles etc.
2. It is attached with three air nozzles, and can be used for bicycles, motorcycles, various balls and other air containers.
3. It is suitable for air inflation of automobile tires on highways, in the wild or at other places.
4. Extended air hose for inflation of various vehicle tire types.

## 3. Product parameters

---

Product model	DL8059	Product name	Auto Air Compressor
Product size	20.6×9.5×16.5(cm)	Flow	36L/min
Inflation speed	3min	Product power	160W
Length of air tube	0.8m	Length of spiral air hose	2.6m
Working voltage	DC 12V	Length of power cord	2.9m
Max pressure	101psi/7bar	Executive standards	CAB 1016-2012

Note: The inflation speed is based on the tire model 195/65R15 (different tire models have different inflation speed).

## 4. Instructions for use

---

1. Start the engine when the car is in a safe parking state.
2. Insert the cigarette lighter plug of inflation pump into the cigarette lighter hole. (Figure 1)

Before inserting, please confirm whether the maximum current of the cigarette lighter reaches 18A. If the current is lower than 18A, please do not use the cigarette lighter for power supply, so as to avoid short circuit of the car. Please keep special battery clamps for alternative!

3. Take out the product, connect the air nozzle of the inflation pump with the tire nozzle, and turn the air nozzle clockwise. (Figure 2)

4. Before inflation, please acknowledge the standard tire pressure value and unit of front/rear wheels, and inflate to the standard tire pressure.

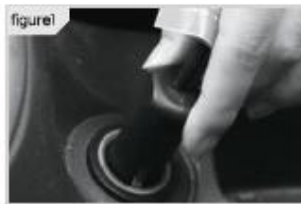
5. Press the product switch to the "I" position, and the inflation pump starts to work. Pay attention to the pressure value of the air-pressure gauge when inflating, and press the switch to the "O" position after reaching the intended pressure of the tire. (Figure 3)

6. Press the product switch to the "I" position, and the light will turn on.

7. Turn off the car engine, unscrew the air nozzle of the inflation pump anticlockwise, and pull the cigarette lighter plug out of the cigarette lighter.

8. Collect the power cord, air tube and cigarette lighter plug, and store them in a fixed place.

9. The product is equipped with LED lights, which can be used for lighting at night when measuring pressure and inflating.



## 5. Instructions for battery clamp converter

---

Step 1: Match the positive and negative poles of the battery clamp converter with the positive and negative poles of the automobile.

Step 2: Insert the cigarette lighter plug of the inflation pump into the hole of the converter.

Step 3: Connect the tire air nozzle.

Step 4: Power on the car and turn on the power switch of the inflation pump.

## 6. Precautions

---

1. Before use, please check that the output port is free of oxidation and other dirt. Poor conductivity of the output port will cause overheating of the product and power supply, thus results in product damage or danger.

2. When inflating, the vehicle shall be in a safe parked state, and the engine shall be started to ensure that the vehicle battery power and voltage are normal, so as to ensure the normal working of the inflation pump.

3. After connecting the battery clamp, check if the positive and negative poles are aligned to avoid causing a short circuit in the air pump.

4. When using, pay attention to the tire pressure and do not inflate too much.

5. In order to increase the service life, the continuous service time shall not exceed 10 minutes.

6. It is prohibited to dismantle the tire pressure gauge at will; during operation, the displayed pressure is dynamic pressure; after shutdown, the displayed pressure is static pressure, and the tire pressure is subject to the static pressure.

7. During operation, the air tube must be kept smooth without any angle; otherwise the pressure gauge will display higher than the normal air pressure, causing inaccurate air pressure reading.

8. The cylinder cover is made of engineering plastic cover with temperature resistance and pressure resistance, and it is forbidden to touch with hands during use.

9. The inflation pump shall be kept away from damp and flammable places, heavy falls and exposure to the sun. Do not allow children to play with it to avoid damage.

10. Do not modify without authorization. No dismantling and repair by non-technical personnel.

11. Select the appropriate inflation pump according to the vehicle model and tire size. This product is not applicable to non 12V vehicles.

## 7. FAQ

---

Question 1: The tire pressure displayed after inflation is different from that measured by the 4S store. Why?

Answer 1: There is error between gauges. If it is less than 3PSI, it is a reasonable tolerance.

Question 2: It seems that there is air leakage during inflation, but I don't know where it is.

Answer 2: Check whether the air nozzle and tire nozzle are screwed in place.

Question 3: It stops inflating after a short while. Why?

Answer 3: Automobile overcurrent protection. Please use the battery for power supply.

Question 4: After inflating several tires, the inflation pump feels a little hot. Why?

Answer 4: When the product runs at high speed, there will be slight heating. Avoid touching the metal part of the air outlet. The product can be used normally. If the inflation time is too long, please stop for a while.

Question 5: The voltage of the cigarette lighter is normal, but the inflation pump does not work. Why?

Answer 5: Overcurrent protection of the car. Please use the high-power cigarette lighter at the rear of the car or battery for power supply.

Question 6: The air pump does not work after two tires are inflated, and it will work again after a while. Why?

Answer 6: The product's cigarette lighter is protected against high temperature. It needs cooling before using again.

Question 7: The inflation pump does not work (the light is off). The fuse inside the cigarette lighter is blown., what should I do?

Answer 7: The inflation pump is attached with a spare fuse. Unscrew the cigarette lighter and replace it with a new fuse.

## Product Warranty Card

Dear users :

Thank you for buying our products. In order to ensure your profit, users who buy our products can contact local distributor or Specified repair stations with invoice and warranty cards if the product failures due to quality problems.

Warranty Notice:

1. From \_\_\_\_\_ (Year/Month/Day) to \_\_\_\_\_ (Year/Month/Day),

If the failure happen in normal use, our company will provide free warranty, parts replacement and other services according to the failure situation.

2. This warranty card and purchase invoice are the voucher of after-sales service provided by our company to customers. The card must be detailed only after filling in the following form and affixing the official seal with the distributor.

3. In one of the following cases, free warranty service will be invalid, and maintenance fees will be required:

- (1) Exceed the expiration date;
- (2) Failure or damage caused by not following the requirements of the product manual, maintenance or improper storage;
- (3) Failure or damage caused by disassembling, repairing or modification of the product without the permission of our company

;

- (4) Machine breakdown or damage caused by force majeure;
- (5) Consumable accessories.

This card is issued with the product. One card for one machine, to ensure that you can fully enjoy the right to free warranty service provided by the company, please keep this card properly, lost will not be replaced.

Purchase Date: \_\_\_\_\_ (Year/Month/Day)



# Product Certificate

Inspector:

01

Date of manufacture:

NINGBO DELI TOOLS CO., LTD.  
No. 128 Chezhan West Road, Huangtan Town,  
Ninghai County, Ningbo, Zhejiang, China  
delitoolsglobal@nbdeli.com  
www.delitoolsglobal.com  
+86 574 87562689  
MADE IN CHINA



Reserved for future use

Version: 1.0

Date: September , 2023