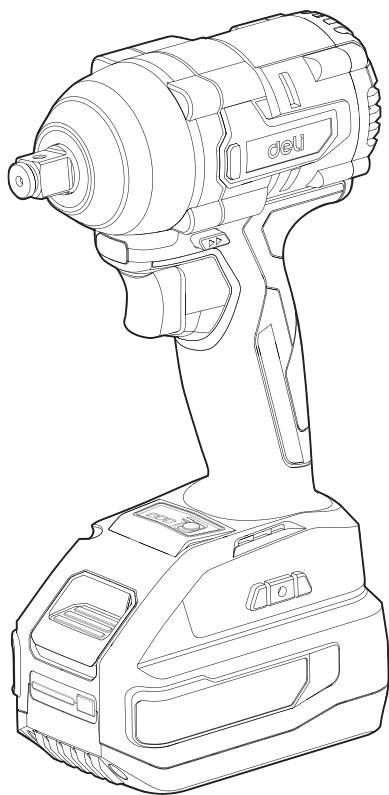




deli

# DE-BS20-1D2




**EN** Lithium-Ion impact wrench  
**DE** Schlagschrauber mit Lithiumbatterie  
**FR** Clé à chocs au lithium-ion  
**ES** Llave de impacto de batería de litio

**PT** Chave de impacto com bateria de íon-lítio  
**RU** Ударный гайковёрт с литиевым аккумулятором  
**AR** مفتاح تأثير ببطارية الليثيوم



## Specifications





Model	DE-BS20-1D2
Rated voltage	20V 
Max torque	350N.m
No-load speed	0-2300/2800/min
Impact frequency	0-3200/3600ipm
Chuck diameter	12.7mm
Machine weight	1.1kg

**Warning!** Please only use the listed battery packs and chargers. Using other types of battery packs or chargers may cause personal injury and/or fire.

It is recommended to select the accessories from the store where you purchased your power tool. Please select the correct accessories for your job. Please refer to the accessories package for more usage and help.

Battery pack	DE-DC20A2	2.0Ah
	DE-DC20A3	2.5Ah
	DE-DC20A4	4.0Ah
	DE-DC20A5	5.0Ah
	DE-DC20A6	6.0Ah
	DE-DC20B8	8.0Ah
Charger	DE-CD20A2E	2A Single charge
	DE-CD20D4E	4A Dual charge
	DE-CD20A8E	8A Single charge

## Symbols

 Read the instruction manual	 Warning sign	 Please wear protective glasses	 Do not put it into the water
 Please wear protective earmuffs	 Please wear safety glasses	 Lock	 Do not put it into the fire
 Please wear protective mask	 High speed	 Low speed	
 Wood	 Drill hole	 Batteries contain lithium ion. To protect the environment, the discarded batteries should be sorted and recycled, and should not be thrown into the trash can.	
 Metal	 Screwdriver	 Li-Ion	

## Original Instructions

### General power tool safety warnings

**WARNING** Read all safety warnings, instructions, illustrations and specifications provided with this power tool. Failure to follow all instructions listed below may result in electric shock, fire and/or serious injury.

**Save all warnings and instructions for future reference.** The term "power tool" in the warnings refers to your mains-operated (corded) power tool or battery-operated (cordless) power tool.

### Work area safety

1. **Keep work area clean and well lit.** Cluttered or dark areas invite accidents.
2. **Do not operate power tools in explosive atmospheres, such as in the presence of flammable liquids, gases or dust.** Power tools create sparks which may ignite the dust/fumes.
3. **Keep children and bystanders away while operating a power tool.** Distractions can cause you to lose control.

### Electrical safety

1. **Power tool plugs must match the outlet. Never modify the plug in any way. Do not use any adapter plugs with earthed (grounded) power tools.** Unmodified plugs and matching outlets will reduce risk of electric shock.
2. **Avoid body contact with earthed or grounded surfaces, such as pipes, radiators, ranges and refrigerators.** There is an increased risk of electric shock if your body is earthed or grounded.
3. **Do not expose power tools to rain or wet conditions.** Water entering a power tool will increase the risk of electric shock.
4. **Do not abuse the cord. Never use the cord for carrying, pulling or unplugging the power tool. Keep cord away from heat, oil, sharp edges or moving parts.** Damaged or entangled cords increase the risk of electric shock.
5. **When operating a power tool outdoors, use an extension cord suitable for outdoor use.** Use of a cord suitable for outdoor use reduces the risk of electric shock.
6. **If operating a power tool in a damp location is unavoidable, use a residual current device (RCD) protected supply.** Use of an RCD reduces the risk of electric shock.

### Personal safety

1. **Stay alert, watch what you are doing and use common sense when operating a power tool. Do not use a power tool while you are tired or under the influence of drugs, alcohol or medication.** A moment of inattention while operating power tools may result in serious personal injury.
2. **Use personal protective equipment. Always wear eye protection.** Protective equipment such as a dust mask, non-skid safety shoes, hard hat or hearing protection used for appropriate conditions will reduce personal injuries.
3. **Prevent unintentional starting. Ensure the switch is in the off-position before connecting to power source and/or battery pack, picking up or carrying the tool.** Carrying power tools with your finger on the switch or energising power tools that have the switch on invites accidents.
4. **Remove any adjusting key or wrench before turning the power tool on.** A wrench or a key left attached to a rotating part of the power tool may result in personal injury.
5. **Do not overreach. Keep proper footing and balance at all times.** This enables better control of the power tool in unexpected situations.
6. **Dress properly. Do not wear loose clothing or jewellery. Keep your hair and clothing away from moving parts.** Loose clothes, jewellery or long hair can be caught in moving parts.
7. **If devices are provided for the connection of dust extraction and collection facilities, ensure these are connected and properly used.** Use of dust collection can reduce dust-related hazards.
8. **Do not let familiarity gained from frequent use of tools allow you to become complacent and ignore tool safety principles.** A careless action can cause severe injury within a fraction of a second.

### Power tool use and care

1. **Do not force the power tool. Use the correct power tool for your application.** The correct power tool will do the job better and safer at the rate for which it was designed.
2. **Do not use the power tool if the switch does not turn it on and off.** Any power tool that cannot be controlled with the switch is dangerous and must be repaired.

3. **Disconnect the plug from the power source and/or remove the battery pack, if detachable, from the power tool before making any adjustments, changing accessories, or storing power tools.** Such preventive safety measures reduce the risk of starting the power tool accidentally.
4. **Store idle power tools out of the reach of children and do not allow persons unfamiliar with the power tool or these instructions to operate the power tool.** Power tools are dangerous in the hands of untrained users.
5. **Maintain power tools and accessories. Check for misalignment or binding of moving parts, breakage of parts and any other condition that may affect the power tool's operation. If damaged, have the power tool repaired before use.** Many accidents are caused by poorly maintained power tools.
6. **Keep cutting tools sharp and clean.** Properly maintained cutting tools with sharp cutting edges are less likely to bind and are easier to control.
7. **Use the power tool, accessories and tool bits etc. in accordance with these instructions, taking into account the working conditions and the work to be performed.** Use of the power tool for operations different from those intended could result in a hazardous situation.
8. **Keep handles and grasping surfaces dry, clean and free from oil and grease.** Slippery handles and grasping surfaces do not allow for safe handling and control of the tool in unexpected situations.
4. **Under abusive conditions, liquid may be ejected from the battery; avoid contact. If contact accidentally occurs, flush with water. If liquid contacts eyes, additionally seek medical help.** Liquid ejected from the battery may cause irritation or burns.
5. **Do not use a battery pack or tool that is damaged or modified.** Damaged or modified batteries may exhibit unpredictable behaviour resulting in fire, explosion or risk of injury.
6. **Do not expose a battery pack or tool to fire or excessive temperature.** Exposure to fire or temperature above 130 °C may cause explosion.
7. **Follow all charging instructions and do not charge the battery pack or tool outside the temperature range specified in the instructions.** Charging improperly or at temperatures outside the specified range may damage the battery and increase the risk of fire.

### Service

1. **Have your power tool serviced by a qualified repair person using only identical replacement parts.** This will ensure that the safety of the power tool is maintained.
2. **Never service damaged battery packs.** Service of battery packs should only be performed by the manufacturer or authorized service providers.

### Screwdrivers and impact wrenches warnings

1. **Hold the power tool by insulated gripping surfaces, when performing an operation where the fastener may contact hidden wiring .** Fasteners contacting a "live" wire may make exposed metal parts of the power tool "live" and could give the operator an electric shock.

### Noise/vibration information

Noise emission values determined according to EN 62841-2-2.

Typically, the A-weighted noise level of the power tool is: Sound pressure level 83 dB(A); sound power level 94 dB(A). Uncertainty K = 5 dB.

Wear hearing protection!

Vibration total values ah (triaux vector sum) and uncertainty K determined according to EN 62841-2-6:

Drilling in metal: ah = 4.5 m/s<sup>2</sup>, K = 1.5 m/s<sup>2</sup>

### Battery tool use and care

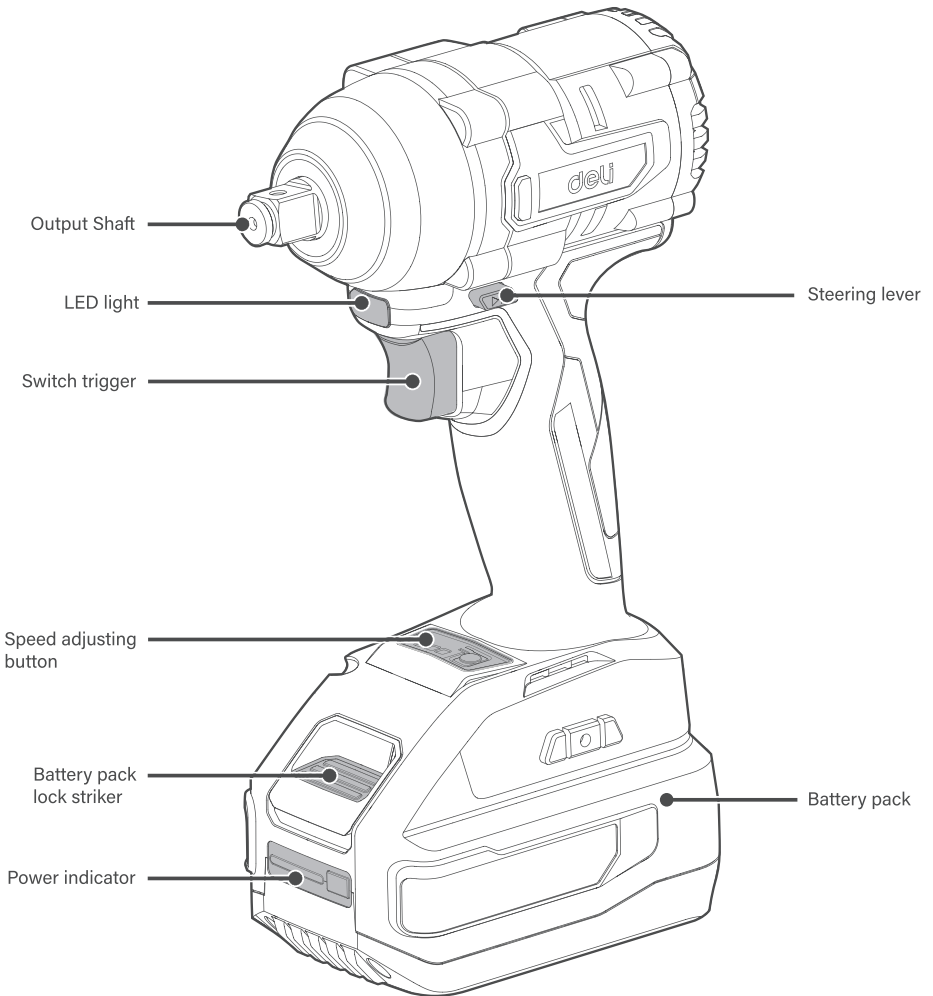
1. **Recharge only with the charger specified by the manufacturer.** A charger that is suitable for one type of battery pack may create a risk of fire when used with another battery pack.
2. **Use power tools only with specifically designated battery packs.** Use of any other battery packs may create a risk of injury and fire.
3. **When battery pack is not in use, keep it away from other metal objects, like paper clips, coins, keys, nails, screws or other small metal objects, that can make a connection from one terminal to another.** Shorting the battery terminals together may cause burns or a fire.

The vibration level and noise emission value given in these instructions have been measured in accordance with a standardised measuring procedure and may be used to compare power tools. They may also be used for a preliminary estimation of vibration and noise emissions.

The stated vibration level and noise emission value represent the main applications of the power tool. However, if the power tool is used for other applications, with different application tools or is poorly maintained, the vibration level and noise emission value may differ. This may significantly increase the vibration and noise emissions over the total working period.

To estimate vibration and noise emissions accurately, the times when the tool is switched off or when it is running but not actually being used should also be taken into account.

This may significantly reduce vibration and noise emissions over the total working period. Implement additional safety measures to protect the operator from the effects of vibration, such as servicing the power tool and application tools, keeping their hands warm, and organising workflows correctly.



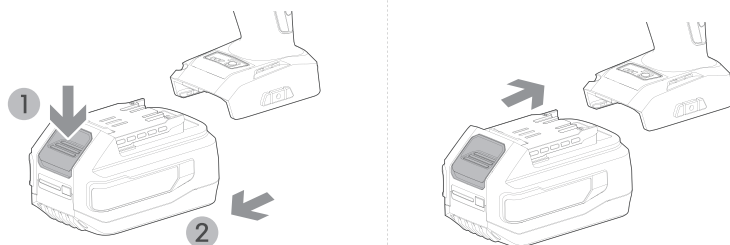


## Preparation before operation

**Note:** Read the instruction manual before operation.

### 1 Install/remove battery pack

When installing or removing the battery pack, please ensure that the machine is in a shutdown state;  
When removing the battery pack, press the button above the battery pack while pulling it out of the tool;  
When installing the battery pack, align the reed on the battery with the groove on the machine housing, and then slide it into place. Insert it fully into place until the battery pack is locked and clicks. If it is not installed properly, it may cause the battery pack to detach from the tool and cause personal injury.



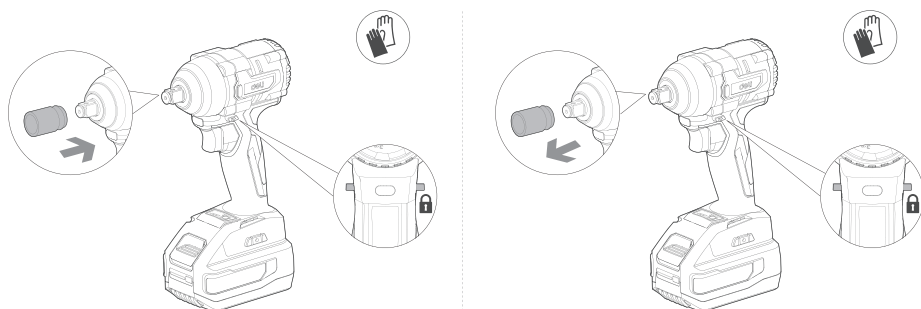
### 2 Install/remove impact sleeve



**Warning!** Please select the sleeve that has the correct size and is suitable for bolts and nuts before use, otherwise it may cause inaccurate torque or damage to bolts and nuts.

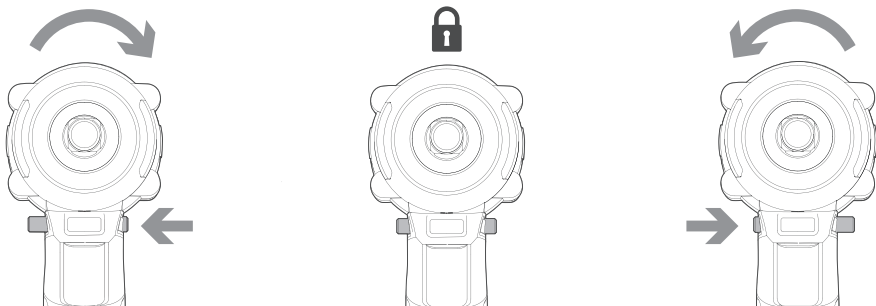
Impact sleeve without O-ring and pin: After aligning the side hole of the sleeve with the square pin, push and press the sleeve onto the directional nail until it clicks into place. The position can be adjusted by lightly tapping on the sleeve. If you need to remove the sleeve, simply pull it out.

Impact sleeve with O-ring and pin: Move the O-ring out of the groove of the impact sleeve and remove the pin from the impact sleeve. Place the impact sleeve on the square output shaft, aligning the hole on the impact sleeve with the hole on the output shaft. Pass the pin through the holes on the impact sleeve and output shaft. Then move the O-ring back to its original position in the groove of the impact sleeve to secure the pin. Please follow the opposite steps as during installation when removing the impact sleeve.



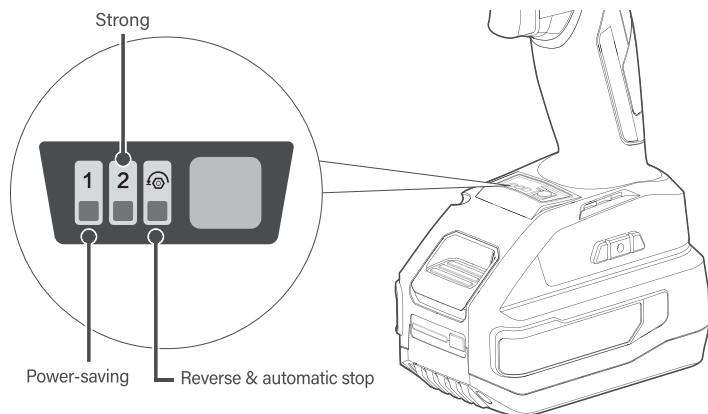
### 3 Forward and reverse switching

This machine is equipped with forward and reverse lever, which can adjust the rotation direction of machine. Clockwise for tightening and counterclockwise for unscrewing. Please ensure that the machine is in an unloaded state when switching the direction button.



### 4 Variable-speed control

The impact mode can be changed through three gears: power-saving, strong and automatic stop mode. Meet the needs of different operating conditions.



## 5 On/Off

Warning: Excessive torque can damage bolts/nuts or sleeves.

Before use, be sure to try it out and ensure that the sleeve is tight. Hold the tool tightly and place the sleeve on the bolt or nut. Press the switch to turn it on, and the torque will be adjusted appropriately depending on the type or size of the bolt and the fastener material.

## 6 LED indication



**Warning! Please ensure that LED light turns on by pressing the switch when the steering lever is at the far left or right position.**

This tool is equipped with a tool/battery protection system. This system can automatically cut off the power supply for the motor to extend the tool and battery life. If the tool or battery is in the following conditions during operation, the tool will automatically stop running. The indicator light will light up in some cases.

**Overload protection:** The tool will automatically stop running when operating the tool/battery in a way that causes abnormally high current. In this case, please turn off the tool and stop the application that caused the tool to overload. Then turn on the tool to restart.

**Overheat protection:** The tool will automatically stop running when the tool/battery overheats. In this case, please wait for the tool to cool down before restarting the tool.

**Over discharge protection:** this tool automatically stops running when the remaining battery power decreases. If this product does not operate even when the switch is turned on, please remove the battery from the tool and charge it.

**Protection for other reasons:** The protection system is also suitable for other situations that may cause damage to the tool, thereby automatically stopping the tool from running. When the tool temporarily or midway stops working, perform all the following steps to eliminate the cause of the abnormality.

1. Turn off the tool and restart it again.
2. Charge the battery or replace it with a rechargeable one.
3. Please wait for the tools and battery to cool down.

## Troubleshooting

### 1. Why can't I insert the battery pack into the charger?

The battery pack can only be inserted into the charger in one direction. Rotate the battery pack until it can be inserted into the hole of the charger. When the red indicator light of the charger lights up until the battery pack can be inserted into the hole of the charger, it indicates that the charging starts when the red indicator light of the charger lights up.

### 2. Why does the working time of the same battery pack vary?

If a battery pack is left unused for too long, it will shorten its working time, which is the issue of charging times. This situation will be improved after several charges and uses. The battery pack's power will also be consumed quickly when doing heavy work. Do not charge the battery pack in environments below 0°C or above 30°C, as this can also affect its performance.

## Maintenance



**Warning! Before performing any replacement or maintenance work on the machine, be sure to pull out the plug first.**

**Before performing any replacement or maintenance work on the machine, be sure to pull out the battery first.**

Your power tool does not require any additional lubrication or maintenance. Do not clean your power tools by using water or chemical cleaning agents, just wipe them clean with a dry cloth. Tools should be stored in a dry environment and kept clean at the motor vents. Try not to use it in a dusty environment.

## Environmental protection



### **Disposal of waste**

In response to environmental protection, damaged machines, accessories and packaging materials must be sorted carefully for easy recycling. In order to facilitate sorting and recycling, all plastic parts are marked with materials.

# Product Warranty Card

**Dear users :**

Thank you for buying our products. In order to ensure your profit, users who buy our products can contact local distributor or Specified repair stations with invoice and warranty cards if the product failures due to quality problems.

**Warranty Notice:**

1. From \_\_\_\_\_ (Year/Month/Day) to \_\_\_\_\_ (Year/Month/Day), If the failure happen in normal use, our company will provide free warranty, parts replacement and other services according to the failure situation.
2. This warranty card and purchase invoice are the voucher of after-sales service provided by our company to customers. The card must be detailed only after filling in the following form and affixing the official seal with the distributor.
3. In one of the following cases, free warranty service will be invalid, and maintenance fees will be required:
  - ( 1 ) Exceed the expiration date.
  - ( 2 ) Failure or damage caused by not following the requirements of the product manual, maintenance or improper storage.
  - ( 3 ) Failure or damage caused by disassembling, repairing or modification of the product without the permission of our company.
  - ( 4 ) Machine breakdown or damage caused by force majeure.
  - ( 5 ) Consumable accessories.

This card is issued with the product. One card for one machine, to ensure that you can fully enjoy the right to free warranty service provided by the company, please keep this card properly, lost will not be replaced.

Purchase Date: \_\_\_\_\_ (Year/Month/Day)

## Product Certificate

Inspector:

01


Date of manufacture:

NINGBO DELI TOOLS CO., LTD.  
No. 128 Chezhan West Road, Huangtan Town,  
Ninghai County, Ningbo, Zhejiang, China  
delitoolsglobal@nbdeli.com  
www.delitoolsglobal.com  
+86 574 87562689  
MADE IN CHINA

Reserved for future use  
Version: 1.0  
Date: June., 2022



## Technische Daten

Modell	DE-BS20-1D2
Nennspannung	20V 
Maximales Drehmoment	350N.m
Leerlaufdrehzahl	0-2300/2800/min
Schlagfrequenz	0-3200/3600ipm
Durchmesser des Bohrfutters	12.7mm
Gewicht	1.1kg

**⚠ Achtung! Bitte verwenden Sie nur die aufgelisteten Akkupacks und Ladegeräte. Die Verwendung anderer Akkus oder Ladegeräte kann zu Verletzungen und/oder Brand führen.**

Es wird empfohlen, das Zubehör in dem Geschäft zu erwerben, in dem Sie Ihr Elektrowerkzeug gekauft haben. Bitte wählen Sie das richtige Zubehör für Ihre Arbeit. Weitere Informationen zur Verwendung und Hilfe finden Sie im Zubehörpaket.

Akkupack	DE-DC20A2E	2.0Ah
	DE-DC20A3E	2.5Ah
	DE-DC20A4E	4.0Ah
	DE-DC20A5E	5.0Ah
	DE-DC20A6E	6.0Ah
	DE-DC20B8E	8.0Ah
Ladegerät	DE-CD20A2E	2 A Einzelladung
	DE-CD20D4E	4 A Doppelladung
	DE-CD20A8E	8 A Einzelladung

## Symbole

 Lesen Sie die Anleitung	 Warnzeichen	 Tragen Sie Schutzhandschuhe	 Nicht ins Wasser tauchen
 Tragen Sie einen Gehörschutz	 Tragen Sie eine Schutzbrille	 Sperre	 Nicht ins Feuer legen
 Tragen Sie Schutzmasken	 Hohe Drehzahl	 Niedrige Drehzahl	
 Holz	 Schraubenzieher	 Die Akkus enthalten Lithium-Ionen. Aus Umweltschutzgründen sollten die gebrauchten Batterien sortiert und recycelt werden und gehören nicht in den Mülleimer.	
 Metall	 Loch bohren		

## Originalanleitung

### Allgemeine Sicherheitshinweise für Elektrowerkzeuge

**ACHTUNG Lesen Sie alle Sicherheitshinweise, Anweisungen, Abbildungen und Spezifikationen, die diesem Elektrowerkzeug beiliegen.**

Die Nichtbeachtung aller unten aufgeführten Anweisungen kann zu einem Stromschlag, Brand und/oder schweren Verletzungen führen.

**Verwahren Sie alle Warnhinweise und Anweisungen für zukünftigen Gebrauch.** Der Begriff „Elektrowerkzeug“ in den Warnhinweisen bezieht sich auf Ihr netzbetriebenes (schnurgebundenes) Elektrowerkzeug oder akkubetriebenes (schnurloses) Elektrowerkzeug.

### Sicherheit im Arbeitsbereich

- Halten Sie den Arbeitsbereich sauber und gut beleuchtet.** Unaufgeräumte oder dunkle Bereiche laden zu Unfällen ein.
- Betreiben Sie Elektrowerkzeuge nicht in explosionsgefährdeten Bereichen, wie z. B. bei Vorhandensein von brennbaren Flüssigkeiten, Gasen oder Staub.** Elektrowerkzeuge erzeugen Funken, die Staub oder Dämpfe entzünden können.
- Halten Sie Kinder und Zuschauer fern, während Sie ein Elektrowerkzeug bedienen.** Ablenkungen können dazu führen, dass Sie die Kontrolle verlieren.

### Elektrische Sicherheit

- Die Stecker von Elektrowerkzeugen müssen zur Steckdose passen. Verändern Sie niemals den Stecker in irgendeiner Weise. Verwenden Sie keine Adapterstecker mit geerdeten Elektrowerkzeugen.** Unveränderte Stecker und passende Steckdosen verringern das Risiko eines Stromschlags.
- Vermeiden Sie Körperkontakt mit geerdeten Oberflächen wie z. B. Rohren, Heizkörpern, Herden und Kühlschränken.** Es besteht ein erhöhtes Risiko eines Stromschlags, wenn Ihr Körper geerdet ist.
- Setzen Sie Elektrowerkzeuge nicht Regen oder Nässe aus.** Wenn Wasser in ein Elektrowerkzeug eindringt, erhöht sich die Gefahr eines Stromschlags.
- Missbrauchen Sie das Kabel nicht. Benutzen Sie das Kabel niemals zum Tragen, Ziehen oder Ausstecken des Elektrowerkzeugs. Halten Sie das Netzkabel von Hitze, Flüssigkeiten, scharfen Kanten und beweglichen Teilen fern.** Beschädigte oder verwickelte Kabel erhöhen das Risiko eines Stromschlags.

- Wenn Sie ein Elektrowerkzeug im Freien betreiben, verwenden Sie ein für den Außenbereich geeignetes Verlängerungskabel.** Die Verwendung eines für den Außenbereich geeigneten Kabels verringert die Gefahr eines Stromschlags.
- Falls der Betrieb eines Elektrowerkzeugs in einer feuchten Umgebung unvermeidlich ist, verwenden Sie eine durch einen Fehlerstromschutzschalter (FI) geschützte Stromversorgung.** Die Verwendung eines FI-Schutzschalters verringert die Gefahr eines Stromschlags.

### Persönliche Sicherheit

- Seien Sie wachsam, achten Sie darauf, was Sie tun, und nutzen Sie Ihren gesunden Menschenverstand, wenn Sie ein Elektrowerkzeug bedienen. Verwenden Sie ein Elektrowerkzeug nicht, wenn Sie müde sind oder unter dem Einfluss von Drogen, Alkohol oder Medikamenten stehen.** Ein Moment der Unachtsamkeit bei der Bedienung von Elektrowerkzeugen kann zu schweren Verletzungen führen.
- Verwenden Sie eine persönliche Schutzausrüstung. Tragen Sie immer einen Augenschutz.** Schutzausrüstungen wie Staubmaske, rutschfeste Sicherheitsschuhe, Schutzhelm oder Gehörschutz, die unter geeigneten Bedingungen verwendet werden, verringern die Zahl der Personenschäden.
- Verhindern Sie unbeabsichtigtes Starten. Stellen Sie sicher, dass der Schalter in der Aus-Stellung ist, bevor Sie das Gerät an die Stromquelle und/oder den Akkupack anschließen, es in die Hand nehmen oder tragen.** Das Tragen von Elektrowerkzeugen mit dem Finger auf dem Schalter oder das Einschalten von Elektrowerkzeugen, bei denen der Schalter eingeschaltet ist, lädt zu Unfällen ein.
- Ziehen Sie vor dem Einschalten des Elektrowerkzeugs alle Einstellschlüssel oder Schraubenschlüssel ab.** Ein Schraubenschlüssel oder ein Schlüssel, der an einem rotierenden Teil des Elektrowerkzeugs verbleibt, kann zu Verletzungen führen.
- Greifen Sie nicht zu weit. Halten Sie stets einen sicheren Stand und das Gleichgewicht.** Dies ermöglicht eine bessere Kontrolle des Elektrowerkzeugs in unerwarteten Situationen.



6. **Ziehen Sie sich entsprechend passend an. Tragen Sie keine weite Kleidung und keinen Schmuck. Halten Sie Ihr Haar und Ihre Kleidung von beweglichen Teilen fern.** Lockere Kleidung, Schmuck oder lange Haare können sich in beweglichen Teilen verfangen.
  7. **Wenn Vorrichtungen zum Anschluss von Staubabsaugungen und -auffangvorrichtungen vorhanden sind, stellen Sie sicher, dass diese angeschlossen sind und ordnungsgemäß verwendet werden.** Die Verwendung einer Staubabsaugung kann die staubbedingten Gefahren verringern.
  8. **Achten Sie darauf, dass die durch häufigen Gebrauch von Werkzeugen gewonnene Routine Sie nicht dazu verleitet, selbstgefällig zu werden und die Grundsätze der Werkzeugsicherheit zu ignorieren.** Eine unvorsichtige Handlung kann im Bruchteil einer Sekunde zu schweren Verletzungen führen.
5. **Pflegen Sie Elektrowerkzeuge und Zubehör. Prüfen Sie, ob bewegliche Teile falsch ausgerichtet sind oder klemmen, ob Teile gebrochen sind und ob andere Bedingungen vorliegen, die den Betrieb des Elektrowerkzeugs beeinträchtigen können. Lassen Sie das Elektrowerkzeug bei Beschädigung vor der Verwendung reparieren.** Viele Unfälle werden durch schlecht gewartete Elektrowerkzeuge verursacht.
  6. **Halten Sie Schneidwerkzeuge scharf und sauber.** Ordnungsgemäß gewartete Schneidwerkzeuge mit scharfen Schneidkanten verklemmen sich seltener und sind leichter zu kontrollieren.
  7. **Verwenden Sie das Elektrowerkzeug, das Zubehör, die Bits usw. gemäß dieser Anleitung und unter Berücksichtigung der Arbeitsbedingungen und der auszuführenden Arbeiten.** Die Verwendung des Elektrowerkzeugs für andere als die vorgesehenen Arbeiten kann zu gefährlichen Situationen führen.
  8. **Halten Sie Griffe und Griffflächen trocken, sauber und frei von Öl und Fett.** Rutschige Griffe und Griffflächen ermöglichen keine sichere Handhabung und Kontrolle des Geräts in unerwarteten Situationen.

### Verwendung und Pflege von Elektrowerkzeugen

1. **Setzen Sie das Elektrowerkzeug nicht mit Gewalt ein. Verwenden Sie das richtige Elektrowerkzeug für Ihre Anwendung.** Das richtige Elektrowerkzeug erledigt die Arbeit besser und sicherer mit der Drehzahl, für die es ausgelegt ist.
2. **Verwenden Sie das Elektrowerkzeug nicht, wenn der Schalter es nicht ein- und ausschaltet.** Jedes Elektrowerkzeug, das sich nicht mit dem Schalter steuern lässt, ist gefährlich und muss repariert werden.
3. **Trennen Sie den Stecker von der Stromquelle und/oder entfernen Sie den Akkupack, falls abnehmbar, vom Elektrowerkzeug, bevor Sie Einstellungen vornehmen, Zubehörteile wechseln oder Elektrowerkzeuge lagern.** Solche vorbeugenden Sicherheitsmaßnahmen verringern das Risiko eines unbeabsichtigten Starts des Elektrowerkzeugs.
4. **Bewahren Sie ungenutzte Elektrowerkzeuge außerhalb der Reichweite von Kindern auf und erlauben Sie Personen, die mit dem Elektrowerkzeug oder dieser Anleitung nicht vertraut sind, nicht, das Elektrowerkzeug zu bedienen.** Elektrowerkzeuge sind in den Händen ungeschulter Benutzer gefährlich.

### Verwendung und Pflege von Akkuwerkzeugen

1. **Laden Sie nur mit dem vom Hersteller empfohlenen Ladegerät auf.** Ein für einen bestimmten Akkutyp geeignetes Ladegerät kann bei Verwendung mit einem anderen Akkutyp eine Brandgefahr darstellen.
2. **Verwenden Sie Elektrowerkzeuge nur mit den speziell dafür vorgesehenen Akkus.** Die Verwendung anderer Akkus kann Verletzungs- und Brandgefahr mit sich bringen.
3. **Halten Sie den Akku bei Nichtgebrauch von anderen Metallgegenständen wie Büroklammern, Münzen, Schlüsseln, Nägeln, Schrauben oder anderen kleinen Metallgegenständen fern, die eine Verbindung zwischen den Polklemmen herstellen können.** Das Kurzschließen der Akkupolklemmen kann zu Verbrennungen oder einem Brand führen.

4. **Bei unsachgemäßem Gebrauch kann Flüssigkeit aus der Batterie austreten; bitte vermeiden Sie den Kontakt damit. Bei unbeabsichtigtem Kontakt sollte die betroffene Stelle mit Wasser gespült werden. Bei Kontakt der Flüssigkeit mit den Augen muss zusätzlich ein Arzt aufgesucht werden.** Die aus dem Akku austretende Flüssigkeit kann Reizungen oder Verbrennungen verursachen.
5. **Verwenden Sie keine beschädigten oder modifizierten Akkus oder Werkzeuge.** Beschädigte oder modifizierte Akkus können ein unvorhersehbares Verhalten zeigen, das zu Brand, Explosion oder Verletzungen führen kann.
6. **Setzen Sie einen Akku oder ein Werkzeug keinem Feuer oder überhöhten Temperaturen aus.** Ein Kontakt mit Feuer oder bei Temperaturen über 130 °C kann eine Explosion verursachen.
7. **Befolgen Sie alle Ladeanweisungen und laden Sie den Akku oder das Werkzeug niemals bei Temperaturen außerhalb des in den Anweisungen angegebenen Bereichs.** Unsachgemäßes Laden oder Laden bei Temperaturen außerhalb des angegebenen Bereichs kann den Akku beschädigen und die Brandgefahr erhöhen.

### Wartung

1. **Lassen Sie Ihr Elektrowerkzeug von einem qualifizierten Servicetechniker warten, der nur identische Ersatzteile verwendet.** Dadurch wird sichergestellt, dass die Sicherheit des Elektrowerkzeugs erhalten bleibt.
2. **Warten Sie niemals beschädigte Akkupacks.** Die Wartung von Akkupacks sollte nur vom Hersteller oder von autorisierten Servicestellen durchgeführt werden.

### Warnhinweise für Schraubendreher und Schlagschrauber

1. **Halten Sie das Elektrowerkzeug immer an den isolierten Griffflächen fest, wenn Sie eine Arbeit ausführen, bei dem das Befestigungselement verborgene Leitungen berühren kann.** Befestigungselemente, die mit einer „spannungsführenden“ Leitung in Berührung kommen, können freiliegende Metallteile des Elektrowerkzeugs „unter Spannung bringen“ und dem Bediener einen Stromschlag versetzen.

### Informationen zu Geräusch und Vibration

Die Geräuschemissionswerte wurden gemäß EN 62841-2-2 ermittelt.

Der A-bewertete Geräuschpegel des Elektrowerkzeugs beträgt in der Regel: Schalldruckpegel 83 dB(A); Schallleistungspegel 94 dB(A). Messunsicherheit K = 5 dB.

Tragen Sie einen Gehörschutz!

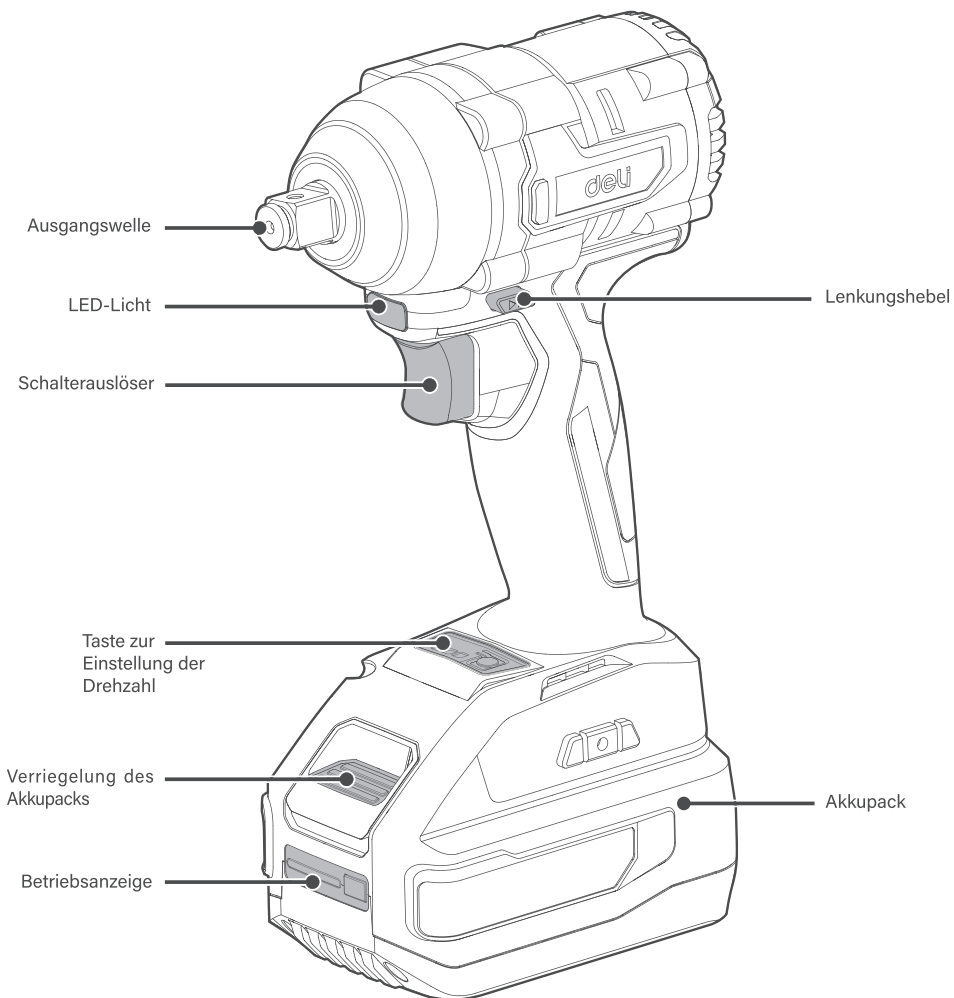
Schwingungsgesamtwerte „ah“ (Triax-Vektorsumme) und Messunsicherheit „K“ werden gemäß EN 62841-2-6 ermittelt:

Bohren Metall: ah = 4,5 m/s<sup>2</sup>, K = 1,5 m/s<sup>2</sup> Die in dieser Anleitung angegebenen Werte für Vibrationspegel und Geräuschemissionen wurden nach einem Standardmessverfahren gemessen und können zum Vergleich von Elektrowerkzeugen verwendet werden. Sie können auch für eine erste Abschätzung der Vibrations- und Geräuschemissionen verwendet werden.

Das angegebene Vibrationsniveau und der Geräuschemissionswert beziehen sich auf die wichtigsten Anwendungen des Elektrowerkzeugs. Wird das Elektrowerkzeug jedoch für andere Anwendungen oder mit anderen Werkzeugen eingesetzt oder unzureichend gewartet, können der Vibrationspegel und der Geräuschemissionswert abweichen. Dadurch können sich die Vibrations- und Geräuschemissionen während der gesamten Betriebsdauer erheblich erhöhen.

Zur genauen Abschätzung der Vibrations- und Geräuschemissionen sollten auch die Zeiten berücksichtigt werden, in denen das Werkzeug ausgeschaltet ist oder zwar in Betrieb ist, aber nicht benutzt wird.

Dies kann die Vibrations- und Geräuschemissionen über die gesamte Arbeitsdauer erheblich reduzieren. Durch zusätzliche Sicherheitsmaßnahmen kann der Bediener vor den Auswirkungen von Vibrationen geschützt werden, z. B. durch Wartung des Elektrowerkzeugs und der Anwendungswerkzeuge, durch Warmhalten der Hände und durch korrekte Organisation der Arbeitsabläufe.

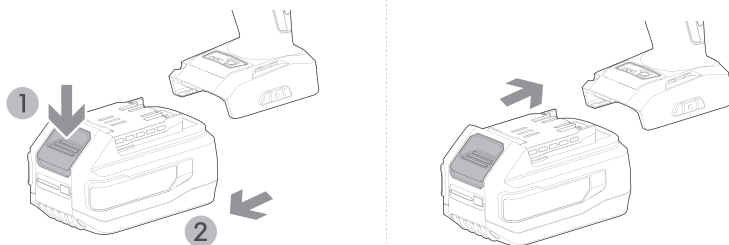


## Vorbereitung vor dem Betrieb

**Hinweis: Lesen Sie die Bedienungsanleitung vor dem Betrieb durch.**

### 1 Einlegen/Entfernen des Akkupacks

Stellen Sie beim Einsetzen oder Entfernen des Akkus sicher, dass das Gerät ausgeschaltet ist; Zum Entfernen des Akkus drücken Sie den Knopf über dem Akku, während Sie ihn aus dem Gerät ziehen; Richten Sie beim Einsetzen des Akkus die Rille des Akkus an der Nut des Gerätegehäuses aus und schieben Sie den Akku dann ein. Schieben Sie ihn vollständig ein, bis der Akku fest sitzt und einrastet. Wird er nicht richtig eingesetzt, kann sich der Akku aus dem Gerät lösen und Verletzungen verursachen.



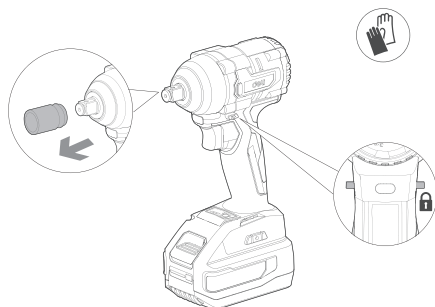
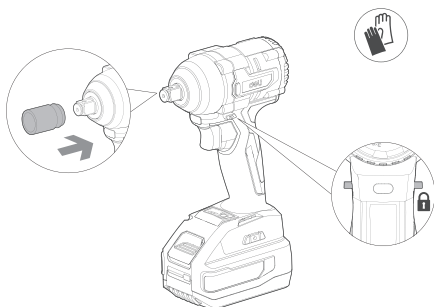
### 2 Einsetzen/Entfernen der Schlaghülse



**Achtung! Bitte wählen Sie vor dem Einsatz die Hülse mit der richtigen Größe aus, die für Schrauben und Muttern geeignet ist, da es andernfalls zu ungenauen Drehmomenten oder Schäden an Schrauben und Muttern kommen kann.**

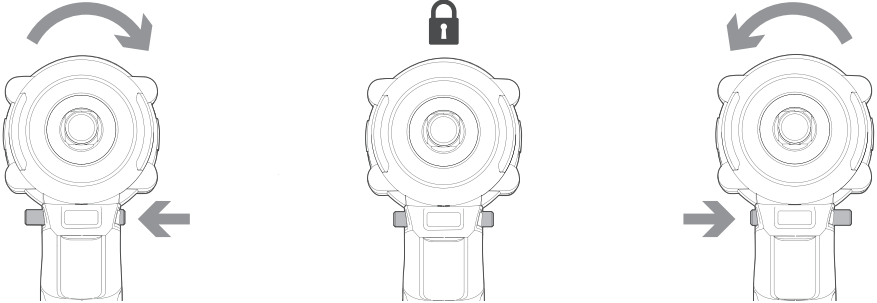
Schlaghülse ohne O-Ring und Stift: Nach dem Ausrichten des seitlichen Lochs der Hülse mit dem Vierkantstift wird die Hülse auf den Richtungsnagel geschoben und gedrückt, bis sie einrastet. Die Position kann durch leichtes Klopfen auf die Hülse eingestellt werden. Zum Entfernen der Hülse wird diese einfach herausgezogen.

Schlaghülse mit O-Ring und Stift: Schieben Sie den O-Ring aus der Nut der Schlaghülse und entfernen Sie den Stift aus dieser. Setzen Sie die Schlaghülse auf die quadratische Abtriebswelle und richten Sie dabei das Loch der Schlaghülse auf das Loch der Abtriebswelle aus. Führen Sie den Bolzen durch die Löcher in der Aufschlaghülse und der Abtriebswelle. Schieben Sie dann den O-Ring zurück in seine ursprüngliche Position in der Nut der Schlaghülse, um den Bolzen zu sichern. Beim Entfernen der Schlaghülse verfahren Sie bitte in umgekehrter Reihenfolge wie bei der Montage.



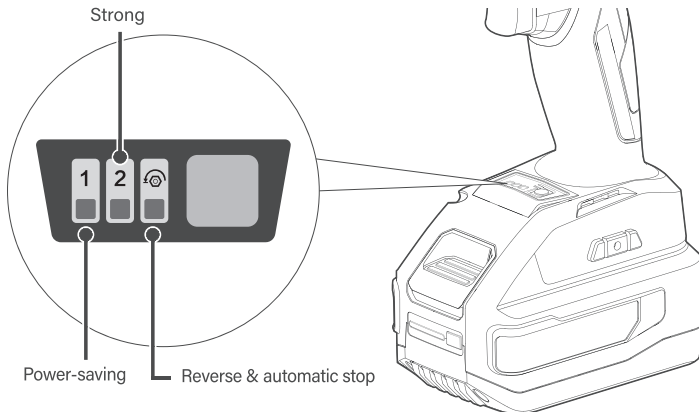
## 3 Vorwärts- und Rückwärtsschaltung

Dieses Gerät ist mit einem Vorwärts- und Rückwärtshebel ausgestattet, mit dem die Drehrichtung des Geräts eingestellt werden kann. Im Uhrzeigersinn zum Anziehen und gegen den Uhrzeigersinn zum Abschrauben. Bitte beachten Sie bei der Umschaltung des Richtungsschalters, dass sich das Gerät in einem unbelasteten Zustand befindet.



## 4 Variable Drehzahlregelung

Der Schlagmodus kann über drei Stufen umgeschaltet werden: Energiesparmodus, Hochleistungsmodus und automatischer Stoppmodus. So werden Sie den Anforderungen unterschiedlicher Einsatzbedingungen gerecht.



## 5 Ein/Aus

Achtung: Ein zu hohes Drehmoment kann Bolzen/Muttern oder Hülsen beschädigen.

Testen Sie das Gerät vor dem Gebrauch und stellen Sie sicher, dass die Hülse fest sitzt. Halten Sie das Werkzeug fest und setzen Sie die Hülse auf die Schraube oder Mutter. Drücken Sie den Schalter, um das Gerät einzuschalten, und das Drehmoment wird je nach Art oder Größe der Schraube und des Befestigungsmaterials entsprechend eingestellt.

## 6 LED-Anzeige



**Achtung! Bitte stellen Sie sicher, dass die LED-Anzeige durch Drücken des Schalters eingeschaltet wird, wenn sich der Lenkhebel in der äußersten linken oder rechten Position befindet.**

Dieses Gerät ist mit einem Werkzeug-/Akkuschutzsystem ausgestattet. Dieses System kann die Motorstromversorgung automatisch unterbrechen, um die Lebensdauer des Werkzeugs und des Akkus zu verlängern. Tritt während des Betriebs eine der folgenden Situationen auf, schaltet sich das Gerät automatisch ab. In einigen Fällen leuchtet die Kontrollleuchte auf.

**Überlastungsschutz:** Wird das Werkzeug bzw. der Akku mit ungewöhnlich hoher Stromstärke betrieben, schaltet sich das Gerät automatisch ab. Schalten Sie in diesem Fall das Gerät aus und beenden Sie den Vorgang, der die Überlastung des Geräts verursacht hat. Schalten Sie dann das Gerät wieder ein.

**Überhitzungsschutz:** Das Gerät schaltet sich automatisch ab, wenn das Gerät/der Akku überhitzt. In diesem Fall warten Sie bitte, bis das Gerät abgekühlt ist, bevor Sie es wieder einschalten.

**Entladeschutz:** Das Gerät schaltet sich automatisch ab, wenn die verbleibende Akkuleistung nachlässt. Wenn das Gerät auch bei eingeschaltetem Schalter nicht funktioniert, nehmen Sie bitte den Akku aus dem Gerät und laden Sie ihn auf.

**Schutz bei anderen Ursachen:** Das Schutzsystem dient auch für andere Situationen, in denen das Gerät beschädigt werden könnte, und stoppt den Betrieb automatisch. Wenn das Gerät vorübergehend oder mittendrin aufhört zu arbeiten, führen Sie bitte alle nachstehenden Schritte durch, um die Störungsursache zu beseitigen.

1. Schalten Sie das Gerät aus und starten Sie es erneut.
2. Laden Sie den Akku auf oder ersetzen Sie ihn durch einen neuen, wiederaufladbaren Akku.
3. Warten Sie, bis das Gerät und der Akku abgekühlt sind.

## Fehlerbehebung

### 1. Warum lässt sich der Akku nicht in das Ladegerät einlegen?

Der Akku kann nur in einer Richtung in das Ladegerät eingelegt werden. Drehen Sie den Akku, bis er in die Öffnung des Ladegeräts eingesetzt werden kann. Der Ladevorgang beginnt, wenn die rote Anzeigelampe des Ladegeräts aufleuchtet, bis der Akku in die Öffnung des Ladegeräts eingesetzt werden kann.

### 2. Warum variiert die Betriebszeit desselben Akkupacks?

Wird der Akku über einen längeren Zeitraum nicht benutzt, verkürzt sich seine Betriebszeit, was das Problem der Aufladezeit verursacht. Diese Situation wird sich nach mehreren Aufladungen und Benutzungen verbessern. Auch bei anspruchsvollen Arbeiten verbraucht sich die Akkuleistung schnell. Laden Sie den Akku nicht in Umgebungen unter 0°C oder über 30°C auf, da dies ebenfalls seine Leistung beeinträchtigen kann.

## Wartung



**Achtung! Ziehen Sie vor dem Durchführen von Austausch- oder Wartungsarbeiten am Gerät unbedingt den Stecker heraus.**

**Nehmen Sie vor dem Durchführen von Austausch- oder Wartungsarbeiten an dem Gerät immer zuerst den Akku heraus.**

Das Elektrowerkzeug muss nicht zusätzlich geschmiert oder gewartet werden. Reinigen Sie Ihr Elektrowerkzeug nicht mit Wasser oder chemischen Reinigungsmitteln, es genügt, das Gerät mit einem trockenen Tuch abzuwischen. Die Werkzeuge sollten in einer trockenen Umgebung aufbewahrt werden und die Belüftungsöffnungen des Motors sollten sauber gehalten werden. Verwenden Sie das Gerät möglichst nicht in einer staubigen Umgebung.

## Schutz der Umwelt



### **Entsorgung von Altgeräten**

Im Sinne des Umweltschutzes müssen beschädigte Geräte, Zubehörteile und Verpackungsmaterialien für ein einfaches Recycling sorgfältig sortiert werden. Zur Erleichterung der Sortierung und des Recyclings sind alle Kunststoffteile mit den Materialangaben gekennzeichnet.

# Produktgarantiekarte

## Produktgarantiekarte:

Wir bedanken uns, dass Sie sich für unsere Produkte entschieden haben. Im Interesse ihrer Zufriedenheit können sich die Käufer im Falle von Qualitätsproblemen mit der Rechnung und der Garantiekarte an den lokalen Vertriebshändler oder an die angegebene Reparaturstelle wenden.

## Garantie Hinweis:

1. Wenn von \_\_\_\_\_ (Jahr/Monat/Tag) bis \_\_\_\_\_ (Jahr/Monat/Tag), das Produkt bei bestimmungsgemäßem Gebrauch ausfällt, bietet unser Unternehmen eine kostenlose Garantie, Ersatzteilversorgung und andere Dienstleistungen je nach Problemfall.
2. Diese Garantiekarte und der Kaufbeleg dienen als Nachweise für den von unserem Unternehmen angebotenen Kundendienst. Die Karte darf nur nach Ausfüllen des folgenden Formulars und Anbringen des offiziellen Händlerstempels ausgefüllt werden.
3. Bei folgenden Fällen gilt der kostenlose Garantieservice nicht, und es werden Wartungsgebühren fällig:
  - ( 1 ) Überschreitung des Verfallsdatums.
  - ( 2 ) Fehler oder Schäden, die durch Nichtbeachtung der Anweisungen im Produkthandbuch, unsachgemäße Wartung oder Lagerung verursacht wurden.
  - ( 3 ) Fehler oder Schäden, die durch das Zerlegen, Reparieren oder Modifizieren des Produkts ohne Genehmigung von unserem Unternehmen verursacht wurden.
  - ( 4 ) Geräteausfall oder Schäden, die durch höhere Gewalt verursacht wurden.
  - ( 5 ) Für verbrauchbares Zubehör.

Diese Karte wird zusammen mit dem Produkt ausgegeben. Eine Karte pro Gerät. Bewahren Sie diese Karte sorgfältig auf, um den Anspruch auf den kostenlosen Garantieservice des Unternehmens zu gewährleisten; bei Verlust wird sie nicht ersetzt.

Kaufdatum: \_\_\_\_\_ (Jahr/Monat/Tag)



# Produktzertifikat

Prüfer:

01

Herstellungsdatum:

**NINGBO DELI TOOLS CO., LTD.**

N° 128 Chezhan West Road, Huangtan Town,

Ninghai County, Ningbo, Zhejiang, China

[delitoolsglobal@nbdeli.com](mailto:delitoolsglobal@nbdeli.com)

[www.delitoolsglobal.com](http://www.delitoolsglobal.com)

+86 574 87562689

HERGESTELLT IN CHINA


**Reserviert für späteren Gebrauch**

Version: 1.0

Datum: Juni. , 2022



## Spécifications


Modèle	DE-BS20-1D2
Tension nominale	20V 
Couple max.	350N.m
Vitesse à vide	0-2300/2800/min
Fréquence d'impact	0-3200/3600ipm
Diamètre de mandrin	12.7mm
Poids de la machine	1.1kg

**⚠ Avertissement ! Utilisez uniquement les batteries et chargeurs spécifiés. L'utilisation d'un autre type de batterie ou de chargeur présente un risque d'incendie et/ou de blessures.**

Il est recommandé de sélectionner les accessoires dans le magasin où vous avez acheté l'outil électrique. Veuillez sélectionner les accessoires adaptés à votre travail. Veuillez vous référer à l'emballage des accessoires pour en savoir plus sur l'utilisation.

Batterie	DE-DC20A2	2.0Ah
	DE-DC20A3	2.5Ah
	DE-DC20A4	4.0Ah
	DE-DC20A5	5.0Ah
	DE-DC20A6	6.0Ah
	DE-DC20B8	8.0Ah
Chargeur	DE-CD20A2E	Chargeur simple 2A
	DE-CD20D4E	Chargeur double 4A
	DE-CD20A8E	Chargeur simple 8A

## Symboles

 Lire les instructions	 Symboles d'avertissement	 Veuillez porter des gants de protection	 Ne mettez pas l'outil dans l'eau
 Veuillez porter des cache-oreilles protecteurs	 Veuillez porter des lunettes de protection	 Verrouillage	 Ne mettez pas l'outil dans des flammes
 Veuillez porter un masque	 Vitesse rapide	 Vitesse lente	
 Bois	 Trou à percer	 Les batteries contiennent du lithium-ion. Pour protéger l'environnement, les batteries mises au rebut doivent être triées et recyclées, et ne doivent pas être jetées à la poubelle.	
 Métal	 Tournevis	 Li-Ion	

## Instructions originales

### Avertissements généraux concernant les outils électriques

**AVERTISSEMENT** Lire l'ensemble des avertissements, instructions, illustrations et spécifications fourni avec cet outil électrique. Le fait de ne pas suivre toutes les instructions figurant dans la liste ci-dessous peut entraîner un risque de choc électrique, d'incendie et/ou de blessures graves.

**Conservez tous les avertissements et instructions à titre d'information.**

Le terme « outil électrique » dans les avertissements fait référence à votre outil électrique (avec fil) fonctionnant sur secteur ou à votre outil électrique (sans fil) fonctionnant sur batterie.

### Sécurité du lieu de travail

1. **Maintenez le lieu de travail propre et bien éclairé.** Les emplacements encombrés ou sombres favorisent les accidents.
2. **N'utilisez pas d'outils électriques dans un environnement explosif, par exemple en présence de liquides, de gaz ou de poussières inflammables.** Les outils électriques dégagent des étincelles qui peuvent enflammer les vapeurs.
3. **Éloignez les enfants et les personnes alentour lorsque vous utilisez un outil électrique.** Toutes distractions peuvent vous faire perdre le contrôle.

### Sécurité électrique

1. **Les prises de l'outil électrique doivent correspondre à la prise murale. N'altérez jamais la prise de quelque manière que ce soit. N'utilisez pas de prises d'adaptateur avec des appareils mis à la terre.** Les prises non altérées et les prises murales correspondantes réduiront les risques de chocs électriques.
2. **Évitez que le corps puissent toucher les surfaces mises à la terre, telles que tuyaux, radiateurs, cuisinières et réfrigérateurs.** Le risque d'électrocution est plus important si votre corps est mis à la terre.
3. **N'exposez pas les outils électriques à la pluie ni à l'humidité.** La pénétration d'eau dans un outil électrique augmente les risques d'électrocution.
4. **N'abusez pas de l'utilisation du fil. N'utilisez jamais le fil pour transporter, tirer ou débrancher l'outil électrique. Conservez le fil à l'écart de la chaleur, de l'huile, des bords coupants ou pièces mobiles.** Un fil endommagé ou emmêlé augmente les risques d'électrocution.

5. **Pour utiliser un outil électrique en extérieur, utilisez une rallonge adaptée à l'usage à l'extérieur.** L'utilisation d'un fil adapté à l'usage extérieur réduit les risques d'électrocution.
6. **Si l'utilisation d'un outil électrique dans un endroit humide est inévitable, utilisez une alimentation protégée par un disjoncteur.** L'utilisation d'un disjoncteur permet de réduire les risques d'électrocution.

### Sécurité personnelle

1. **Restez attentif, surveillez votre travail et faites preuve de bon sens lorsque vous utilisez un outil électrique. N'utilisez pas un outil électrique si vous êtes fatigué ou sous l'influence de drogues, d'alcool ou de médicaments.** Un moment d'inattention lors de l'utilisation d'outils électriques peut entraîner des blessures graves.
2. **Portez un équipement de protection individuelle. Portez toujours une protection auditive (oreillettes).** Des équipements de protection tels qu'un masque anti-poussière, des chaussures de sécurité antidérapantes, un casque ou des protections auditives, utilisés dans de bonnes conditions, permettront de réduire les risques de blessures.
3. **Prévenez les démarrages non intentionnels. Assurez-vous que l'interrupteur est éteint (off) avant de brancher l'appareil à la prise d'alimentation et / ou à la batterie, ou de saisir ou de transporter l'outil.** Le fait de transporter des outils électriques en ayant le doigt sur l'interrupteur ou de lancer des outils électriques lorsque l'interrupteur est allumé, peut être source d'accidents.
4. **Retirez toute clé de réglage ou autre clé avant de mettre l'outil électrique en marche.** Une clé laissée sur une pièce rotative de l'outil électrique peut entraîner des blessures.
5. **Ne vous penchez pas excessivement. Conservez à tout moment un bon appui et bon équilibre.** Vous pouvez ainsi mieux contrôler l'outil électrique en cas de situations imprévues.
6. **Habilitez-vous judicieusement. Ne portez pas de vêtements amples ni de bijoux. Tenez les cheveux et les vêtements à l'écart des pièces en mouvement.** Les vêtements amples, les bijoux ou les cheveux longs peuvent se coincer dans les pièces en mouvement.
7. **Sides appareils permettent de se raccorder à des équipements de collecte et d'extraction de la poussière ; assurez-vous qu'ils soient raccordés et correctement utilisés.** L'utilisation d'un système de collecte de la poussière peut réduire les risques liés à la poussière.

8. **Même si vous avez pris l'habitude d'utiliser des outils, vous ne devez pas être moins vigilant et ignorer les principes de sécurité des outils.** Un geste imprudent peut provoquer une blessure grave en une fraction de seconde.

### Utilisation et entretien de l'outil électrique

1. **Ne forcez pas sur l'outil électrique. Utilisez l'outil électrique convenant à l'usage.** Le bon outil électrique fonctionnera mieux et plus sûrement s'il est utilisé à la vitesse pour laquelle il a été conçu.
2. **N'utilisez pas l'outil électrique si l'interrupteur ne l'allume ou ne l'éteint pas.** Tout outil électrique ne pouvant être contrôlé avec l'interrupteur est un outil dangereux, et doit être réparé.
3. **Débranchez la prise et/ou retirez le compartiment à piles, s'il est détachable, de l'outil électrique avant tout réglage, changement d'accessoires ou avant de ranger des outils électriques.** Ce type de mesures de protection permet de réduire les risques d'allumage accidentel de l'outil électrique.
4. **Rangez les outils électriques au repos hors de portée des enfants, et ne laissez personne ne connaissant pas l'outil électrique ou ces instructions utiliser l'outil électrique.** Les outils électriques sont dangereux entre les mains de personnes qui n'y sont pas formées.
5. **Entretenez les et accessoires des outils électriques. Vérifiez l'alignement ou l'adhésion des pièces en mouvement, toute casse de pièces et toute autre condition susceptible d'affecter le bon fonctionnement de l'outil électrique. S'il est endommagé, faites réparer l'outil électrique avant de l'utiliser.** De nombreux accidents sont causés par des outils électriques mal entretenus.
6. **Faites en sorte que les outils de coupe restent affûtés et propres.** Des outils de coupe bien entretenus aux bords affûtés adhèrent moins et sont plus faciles à contrôler.
7. **Utilisez l'outil électrique, les accessoires, embouts et forets, conformément à ces instructions, en tenant compte des conditions de travail et du travail à entreprendre.** L'utilisation de l'outil électrique dans un but différent de celui prévu peut entraîner des situations dangereuses.
8. **Faites en sorte que les surfaces de préhension et poignées restent sèches, propres et exemptes d'huile et de graisse.** Les poignées et les surfaces de préhension glissantes ne permettent pas de manipuler et de contrôler l'outil en toute sécurité dans des situations inattendues.

### Utilisation et entretien de l'outil fonctionnant sur batterie

1. **Rechargez uniquement avec le chargeur spécifié par le fabricant.** Un chargeur qui est adapté pour un type de batterie risque de provoquer un début d'incendie s'il est utilisé avec un autre type de batterie.
2. **Utilisez uniquement les outils électriques spécifiquement recommandés pour la batterie.** L'utilisation d'un autre type de batterie présente un risque d'incendie ou de blessures.
3. **Lorsque que la batterie n'est pas utilisée, rangez-la à l'écart d'autres objets métalliques, tels des trombones, des pièces de monnaie, de clés, des clous, des vis ou d'autres petits objets métalliques qui peuvent établir une connexion entre les bornes.** Il y a un risque d'incendie ou de brûlures si les bornes de la batterie sont court-circuitées.
4. **En cas de mauvaise manipulation, du liquide peut s'échapper de la batterie ; évitez tout contact. En cas de contact accidentel, rincez abondamment à l'eau.** Si le liquide entre en contact avec les yeux, consultez un médecin. Le liquide de la batterie est dangereux et provoque des irritations ou des brûlures.
5. **N'utilisez pas une batterie ou un outil s'ils ont été endommagés ou modifiés.** Une batterie endommagée ou modifiée peut avoir un fonctionnement imprévu avec un risque d'incendie, d'explosion ou de blessure.
6. **N'exposez pas la batterie ou l'outil à des températures excessives ou à des flammes.** L'exposition aux flammes ou à des températures supérieures à 130 °C présente un risque d'explosion.
7. **Suivez toutes les consignes pour la recharge et ne rechargez pas la batterie ou l'outil à des températures en dehors de la plage spécifiée dans les consignes.** Une mauvaise recharge ou une charge à des températures en dehors de la plage spécifiée peut endommager la batterie et augmenter le risque d'incendie.

### Révision

1. **Faites réviser votre outil électrique par un technicien qualifié utilisant seulement des pièces de rechange identiques.** Cela permettra de préserver la sécurité de l'outil électrique.
2. **Une batterie endommagée ne doit jamais être réparée.** L'entretien de la batterie doit être confié au fabricant ou aux réparateurs agréés.

## Avertissements relatifs aux visseuses et clés à chocs

- 1. Tenez l'outil électrique par les surfaces de préhension isolées lorsque vous effectuez un travail au cours duquel la pièce de fixation peut toucher un câblage dissimulé.** Le contact de la pièce de fixation avec un fil sous tension peut électrifier les parties métalliques exposées de l'outil électrique et l'opérateur risque de s'électrocuter.

## Informations sur le bruit/les vibrations

Valeurs d'émission sonore déterminées selon EN 62841-2-2.

Typiquement, le niveau de bruit pondéré A de l'outil électrique est : niveau de pression acoustique 83 dB(A) ; niveau de puissance acoustique 94 dB(A). Incertitude K = 5 dB.

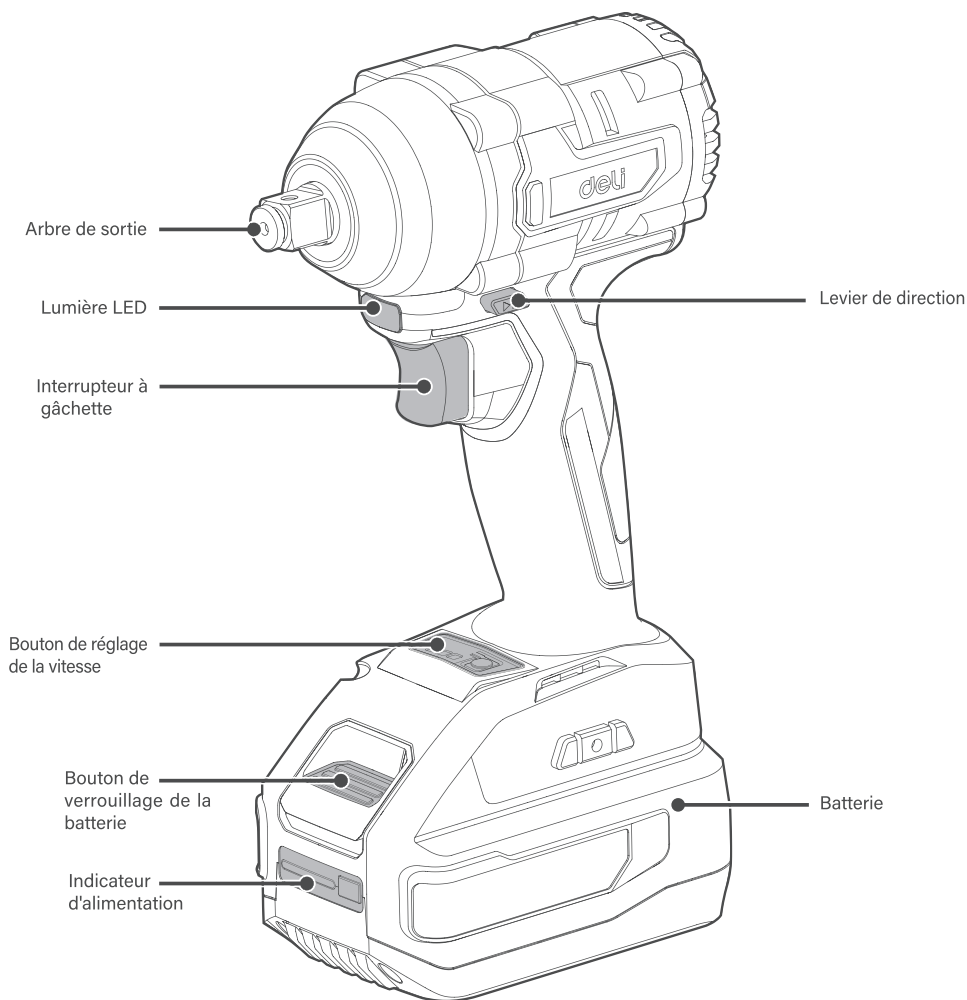
Portez des protections auditives !

Valeurs totales des vibrations ah (somme vectorielle triaxiale) et incertitude K déterminées selon la norme EN 62841-2-6 :

Perçage dans le métal : ah = 4,5 m/s<sup>2</sup>, K = 1,5 m/s<sup>2</sup> Le niveau de vibrations et la valeur d'émissions de bruit donnés dans ces instructions ont été mesurés selon une procédure de mesure standard et peuvent être utilisés pour comparer des outils électriques. Ils peuvent également être utilisés dans le cadre d'une évaluation préliminaire des vibrations et des émissions de bruit.

La valeur d'émissions de bruit et le niveau de vibrations indiqués correspondent aux principales applications de l'outil électrique. Cependant, si l'outil électrique est utilisé pour d'autres applications, avec des outils d'application différents, ou que son entretien s'avère insuffisant, la valeur d'émissions de bruit et le niveau de vibrations peuvent différer. Cela peut considérablement augmenter les émissions de bruit et les vibrations sur toute la période de travail. Pour estimer avec précision les émissions de bruit et les vibrations, les moments où l'outil est arrêté ou fonctionne, mais pas réellement utilisé, doivent également être pris en compte.

Cela peut considérablement réduire les émissions de bruit et les vibrations sur toute la période de travail. Mettez en œuvre des mesures de sécurité supplémentaires pour protéger l'opérateur des effets des vibrations, telles que l'entretien de l'outil électrique et des outils d'application, maintenir au chaud les mains et l'organisation correcte des périodes de travail.

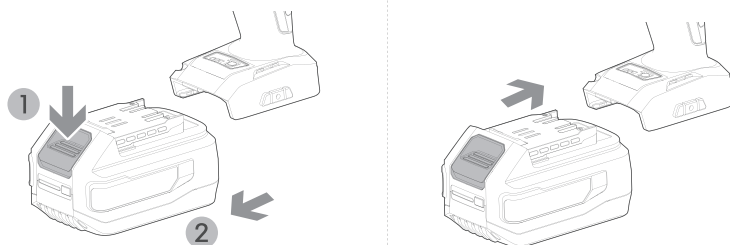


## Préparation avant l'utilisation

**Remarque : Lisez le mode d'emploi avant d'utiliser.**

### 1 Installer ou retirer la batterie

Lorsque vous installez ou retirez la batterie, veuillez vous assurer que la machine n'est pas sous tension ; Pour retirer la batterie, appuyez sur le bouton au-dessus de la batterie tout en la retirant de l'outil ; Lorsque vous installez la batterie, alignez la tige sur la batterie avec la rainure sur le boîtier de la machine, puis faites-la glisser en place. Insérez-la complètement en place jusqu'à ce que la batterie se verrouille et s'enclenche. Si elle n'est pas installée correctement, la batterie peut se détacher de l'outil et provoquer des blessures corporelles.



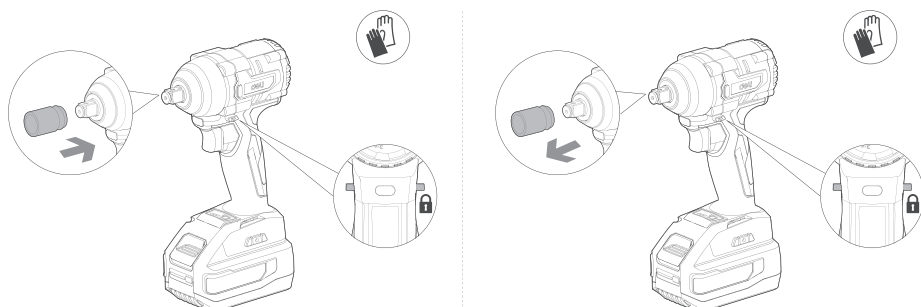
### 2 Installer ou retirer la douille à percussion



**Avertissement ! Veuillez sélectionner la douille de la bonne taille et adaptée aux boulons et écrous avant d'utiliser, sinon un couple inexact pourrait s'appliquer ou les boulons et les écrous pourraient être endommagés.**

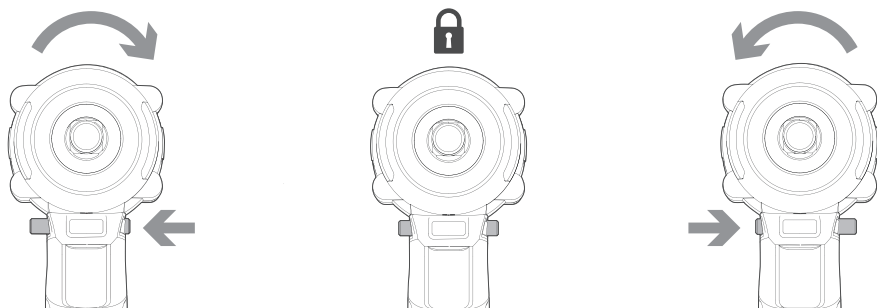
Douille à percussion sans joint torique ni goupille : Après avoir aligné le trou latéral de la douille avec la goupille carrée, poussez et enfoncez la douille sur le clou directionnel jusqu'à ce qu'elle s'enclenche. La position peut être ajustée en tapotant légèrement sur la douille. Si vous devez retirer la douille, tirez-la simplement.

Douille à percussion avec joint torique et goupille : Déplacez le joint torique hors de la rainure de la douille à percussion et retirez la goupille de la douille à percussion. Placez la douille à percussion sur l'arbre de sortie carré, en alignant le trou sur la douille à percussion avec le trou sur l'arbre de sortie. Passez la goupille à travers les trous sur la douille à percussion et l'arbre de sortie. Remettez ensuite le joint torique dans sa position d'origine dans la rainure de la douille à percussion pour fixer la goupille. Veuillez suivre les étapes inverses à l'installation pour retirer la douille à percussion.



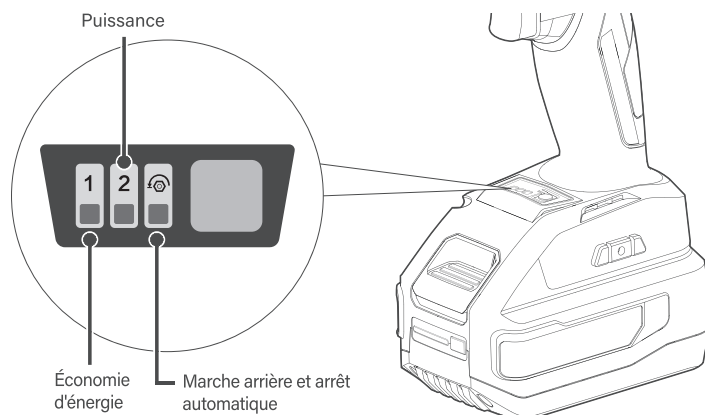
### 3 Réglage de rotation horaire et antihoraire

Cette machine est équipée d'un levier de rotation horaire et antihoraire, qui permet d'ajuster le sens de rotation de la machine. Le sens horaire pour visser et le sens antihoraire pour dévisser. Veuillez vous assurer que la machine est à vide lorsque vous actionnez le bouton de direction.



### 4 Contrôle de vitesse variable

Le mode de percussion peut être réglé sur trois vitesses : économie d'énergie, mode d'arrêt automatique et puissance. Pour répondre aux besoins de différentes conditions de fonctionnement.





## 5 Mise en marche/arrêt

Avertissement : Un couple excessif peut endommager les boulons/écrous ou les douilles.

Avant d'utiliser, faites un essai et assurez-vous que la douille est bien serrée. Tenez fermement l'outil et placez la douille sur le boulon ou l'écrou. Appuyez sur l'interrupteur pour l'activer, et le couple sera ajusté de manière appropriée en fonction du type ou de la taille du boulon et du matériau de fixation.

## 6 Indicateur à LED



**Avertissement ! Veuillez vous assurer que le voyant LED s'allume en appuyant sur l'interrupteur lorsque le levier de direction est positionné à gauche ou à droite.**

Cette machine est équipée d'un circuit de protection d'outil et de batterie. Ce système peut couper automatiquement l'alimentation du moteur pour prolonger la durée de vie de l'outil et de la batterie. Si l'outil ou la batterie est dans les conditions suivantes pendant le fonctionnement, l'outil s'arrêtera automatiquement de fonctionner. Le voyant lumineux s'allumera dans certains cas.

**Protection contre les surcharges :** L'outil cessera automatiquement de fonctionner lorsque l'outil/la batterie est utilisé d'une manière qui provoque un courant anormalement élevé. Dans ce cas, arrêtez l'outil et cessez le travail qui a provoqué la surcharge de l'outil. Remettez ensuite l'outil sous tension pour redémarrer.

**Protection contre les surchauffes :** L'outil cessera automatiquement de fonctionner lorsque l'outil/la batterie est en surchauffe. Dans ce cas, veuillez attendre que l'outil refroidisse avant de le redémarrer.

**Protection contre les décharges excessives :** cet outil s'arrête automatiquement lorsque la puissance restante de la batterie diminue. Si ce produit ne fonctionne pas lorsque l'interrupteur est activé, retirez la batterie de l'outil et rechargez-la.

**Autres protections :** Le système de protection est également adapté à d'autres situations qui peuvent endommager l'outil, empêchant ainsi automatiquement l'outil de fonctionner. Lorsque l'outil cesse temporairement ou à mi-chemin de fonctionner, suivez toutes les étapes suivantes pour résoudre l'anomalie.

1. Arrêtez l'outil et redémarrez-le.
2. Chargez la batterie ou remplacez-la par une batterie rechargeable.
3. Veuillez attendre que l'outil et la batterie refroidissent.

## Dépannage

### 1. Pourquoi la batterie ne s'insère-t-elle pas dans le chargeur ?

La batterie ne peut être insérée dans le chargeur que dans un seul sens. Faites pivoter la batterie jusqu'à ce qu'elle puisse être insérée dans l'orifice du chargeur. Lorsque le voyant rouge du chargeur s'allume quand la batterie est insérée dans l'orifice du chargeur, cela indique que la charge démarre.

### 2. Pourquoi l'autonomie d'une même batterie varie-t-elle ?

Si une batterie reste inutilisée trop longtemps, son autonomie sera réduite, ce qui est un problème de temps de charge. Cette situation s'améliorera après plusieurs charges et utilisations. La batterie sera également rapidement vidée en cas de travaux intensifs. Ne rechargez pas la batterie dans un environnement dont la température est inférieure à 0°C ou supérieure à 30°C, car cela affectera ses performances.

## Entretien



**Avertissement ! Avant d'effectuer toute opération de remplacement ou d'entretien sur l'outil, assurez-vous d'abord de débrancher la fiche.**

**Avant d'effectuer toute opération de remplacement ou d'entretien sur l'outil, assurez-vous d'abord de retirer la batterie.**

Votre outil électrique ne nécessite aucune lubrification ou maintenance supplémentaire. Ne nettoyez pas votre outil électrique avec de l'eau ou des produits de nettoyage chimiques, essuyez-le simplement avec un chiffon sec. L'outil doit être stocké dans un environnement sec et les événements du moteur doivent rester propres. Essayez de ne pas l'utiliser dans un environnement poussiéreux.

## Protection de l'environnement



### Élimination des déchets

Pour contribuer à la protection de l'environnement, les outils et les accessoires endommagés ainsi que les matériaux d'emballage doivent être triés avec soin pour faciliter leur recyclage. Afin de faciliter le tri et le recyclage, toutes les pièces en plastique sont marquées.

# Carte de garantie du produit

## Chers utilisateurs:

Merci d'avoir acheté nos produits. Afin de garantir leur achat, les utilisateurs de nos produits peuvent contacter un distributeur local ou des centres de réparation spécifiés, munis de la facture et de la carte de garantie en cas de défaillance du produit due à de problèmes de qualité.

## Notice de garantie:

1. Valide du \_\_\_\_\_ (jour, mois, année) au \_\_\_\_\_ (jour, mois, année) Si la panne survient dans le cadre d'une utilisation normale, notre société fournira une garantie gratuite, un remplacement de pièces et d'autres services en fonction de la panne.
2. Cette carte de garantie et la facture d'achat servent de bon de réparation pour le service après-vente fourni par notre société aux clients. La carte ne doit être renseignée qu'en remplissant le formulaire suivant et en apposant le sceau officiel du distributeur.
3. Dans l'un des cas suivants, le service de garantie gratuit sera annulé et des frais d'intervention seront demandés:
  - ( 1 ) Dépassement de la date d'expiration.
  - ( 2 ) Défaillance ou dommage causé par le non-respect des exigences du manuel du produit, un entretien ou un stockage inapproprié.
  - ( 3 ) Défaillance ou dommage causé par le démontage, la réparation ou la modification du produit sans l'autorisation de notre société.
  - ( 4 ) Panne de la machine ou dommage causé par un cas de force majeure.
  - ( 5 ) Accessoires consommables.

Cette carte est livrée avec le produit. Une carte pour une machine, pour vous assurer que vous pouvez profiter pleinement du droit au service de garantie gratuit fourni par l'entreprise. Veuillez conserver cette carte correctement. En cas de perte, elle ne sera pas remplacée.

Date d'achat : \_\_\_\_\_ (jour, mois, année)

## Certificat de produit

Inspecteur:

01

Date de fabrication:

### **NINGBO DELI TOOLS CO., LTD.**

N° 128 Chezhan West Road, Huangtan Town,

Ninghai County, Ningbo, Zhejiang, Chine

delitoolsglobal@nbdeli.com

www.delitoolsglobal.com

+86 574 87562689

FABRIQUÉ EN CHINE

### **Réservé pour une utilisation future**

Version: 1.0

Date : Juin, 2022



## Especificaciones

Modelo	DE-BS20-1D2
Tensión nominal	20V
Máximo par de torsión	350N.m
Velocidad sin carga	0-2300/2800/min
Frecuencia de impacto	0-3200/3600ipm
Diámetro del portabrocas	12.7mm
Peso de la máquina	1.1kg

**⚠ ¡Advertencia! Utilice únicamente las baterías y cargadores indicados. El uso de otros tipos de baterías o cargadores puede provocar lesiones personales y/o incendio.**

Se recomienda seleccionar los accesorios de la tienda en la que se compró la herramienta eléctrica. Seleccione los accesorios correctos para su trabajo. Consulte el paquete de accesorios para obtener más uso y ayuda.

Batería	DE-DC20A2	2.0Ah
	DE-DC20A3	2.5Ah
	DE-DC20A4	4.0Ah
	DE-DC20A5	5.0Ah
	DE-DC20A6	6.0Ah
	DE-DC20B8	8.0Ah
Cargador	DE-CD20A2E	Cargador individual de 2A
	DE-CD20D4E	Cargador doble de 4A
	DE-CD20A8E	Cargador individual de 8A

## Símbolos

Lea las instrucciones	Símbolos de advertencia	Lleve guantes protectores	No la ponga en agua
Lleve orejeras protectoras	Lleve gafas protectoras	Bloqueo	No la ponga en fuego
Lleve máscaras protectoras	Alta velocidad	Velocidad nominal	
Madera	Orificio de taladro	Las baterías contienen iones de litio. Para proteger el medio ambiente, las baterías desechadas deben ser clasificadas y recicladas, y no deben ser desechadas a la basura.	
Metal	Destornillador		

## Instrucciones originales

### ADVERTENCIAS GENERALES DE SEGURIDAD PARA HERRAMIENTAS ELÉCTRICAS

**ADVERTENCIA** Lea con atención todas las advertencias de seguridad, instrucciones, ilustraciones y especificaciones proporcionadas con esta herramienta eléctrica. No seguir las instrucciones indicadas a continuación puede tener como resultado una descarga eléctrica, un incendio y/o lesiones graves. **Guarde todas las advertencias e instrucciones para referencia futura.**

El uso del término «herramienta eléctrica» en las advertencias de seguridad se refiere a herramientas eléctricas conectadas a la red (con cable) o a batería (sin cable).

### Seguridad del área de trabajo

1. **Mantenga el área de trabajo limpia y bien iluminada.** Las áreas abarrotadas y oscuras propician accidentes.
2. **No utilice la herramienta eléctrica en un entorno con peligro de explosión, en el que se encuentren combustibles líquidos, gases o material en polvo.** Las herramientas eléctricas generan chispas que pueden encender el polvo y los vapores inflamables.
3. **Mantenga a los niños y transeúntes alejado del área cuando utilice la herramienta eléctrica.** Las distracciones pueden hacerle perder el control de la máquina.

### Seguridad eléctrica

1. **El enchufe de la herramienta eléctrica debe ser compatible con la toma de corriente. No modifique nunca la clavija de enchufe de ninguna forma. No utilice ningún enchufe adaptador con herramientas eléctricas conectadas a masa (conectadas a tierra).** Los enchufes no modificados y que se adaptan a las tomas de corriente reducirán el riesgo de descarga eléctrica.
2. **Evite el contacto del cuerpo con superficies conectadas a masa o tierra, por ejemplo, tuberías, radiadores, estufas y refrigeradores.** Si su cuerpo está puesto a masa o tierra existe un mayor riesgo de que se produzca una descarga eléctrica.
3. **No exponga la herramienta eléctrica a condiciones húmedas o a lluvia.** El riesgo de recibir descargas eléctricas aumenta si penetra agua en la herramienta eléctrica.

4. **No haga mal uso del cable. Nunca use el cable para transportar, tirar o desenchufar la herramienta eléctrica. Mantenga el cable alejado del calor, de aceite y de piezas móviles o con bordes afilados.** Los cables dañados o enredados pueden aumentar el riesgo de descarga eléctrica.
5. **Cuando utilice la herramienta eléctrica en el exterior, use un cable alargador adecuado para uso en exterior.** El uso de un cable adecuado para uso en exterior reduce el riesgo de descarga eléctrica.
6. **Si no es posible evitar usar una herramienta eléctrica en condiciones húmedas, utilice una fuente de alimentación protegida por un interruptor diferencial (ID).** El uso de un ID reduce el riesgo de descarga eléctrica.

### Seguridad personal

1. **Al utilizar una herramienta eléctrica, esté atento, concéntrese en lo que hace y use el sentido común. No utilice la herramienta eléctrica si está cansado o bajo los efectos del alcohol, las drogas o los medicamentos.** Un momento de distracción mientras se utiliza la herramienta eléctrica puede tener como resultado lesiones personales graves.
2. **Use el equipo de protección individual. Lleve siempre protección ocular.** El uso de un equipo de protección adecuado como una mascarilla antipolvo, zapatos de seguridad con suela antideslizante, casco o protectores auditivos para las condiciones que lo requieran reducirá las lesiones personales.
3. **Evite un arranque involuntario. Asegurarse de que el interruptor está en posición de apagado antes de conectar la herramienta a la toma de corriente y/o al insertar el paquete de batería, al recogerla, y al transportarla.** Transportar la herramienta eléctrica con el dedo apoyado sobre el interruptor o enchufar la herramienta eléctrica con el interruptor en la posición de encendido puede propiciar accidentes.
4. **Retire cualquier llave de ajuste o herramienta antes de encender la herramienta eléctrica.** Una herramienta o llave colocada en una pieza giratoria de la herramienta eléctrica puede provocar lesiones personales.
5. **No se estire demasiado. Apoye bien los pies y mantenga el equilibrio en todo momento.** Esto mejorará el control de la herramienta eléctrica en situaciones imprevistas.

6. **Lleve la ropa adecuada. No lleve ropa holgada ni joyas. Mantenga el pelo y la ropa alejada de las piezas móviles.** La ropa holgada, las joyas, o el pelo largo pueden engancharse en las partes en movimiento.
7. **Si los dispositivos están provistos de conexión para aspiración de polvo y dispositivos de recolección, asegúrese de que están conectadas y se utilizan correctamente.** El uso de un colector de polvo puede reducir los peligros relacionados con el polvo.
8. **No deje que la familiaridad obtenida por el uso frecuente de la herramienta se vuelva algo habitual o haga que ignore los principios de seguridad de la herramienta.** Una acción descuidada puede provocar lesiones graves en una fracción de segundos.
6. **Mantenga las herramientas de corte afiladas y limpias.** Las herramientas de corte con mantenimiento adecuado y con los bordes de corte afilados son menos propensas a trabarse y son más fáciles de controlar.
7. **Utilice la herramienta eléctrica, los accesorios y las brocas de herramienta, etc. de acuerdo con estas instrucciones, teniendo en cuenta las condiciones de trabajo y el trabajo que se vaya a realizar.** La utilización de la herramienta eléctrica para trabajos para los que no ha sido concebida puede dar lugar a situaciones de peligro.
8. **Mantenga las asas y las superficies de agarre secas, limpias y libres de aceite y grasa.** Las asas y superficies de agarre resbaladizas impiden manejar y controlar la herramienta eléctrica con seguridad en situaciones imprevistas.

### Uso y cuidado de la herramienta eléctrica

1. **No fuerce la herramienta eléctrica. Utilice la herramienta eléctrica prevista para el trabajo a realizar.** El trabajo se hace mejor y más seguro usando la herramienta eléctrica correcta con la velocidad para la que ha sido diseñada.
2. **No utilice la herramienta eléctrica si el interruptor no puede encenderla o apagarla.** Una herramienta que no pueda controlarse con el interruptor es peligrosa y debe repararse.
3. **Desconecte el enchufe de la toma de corriente y/o retire el paquete de baterías, si es desmontable, de la herramienta eléctrica antes de realizar cualquier ajuste, cambiar los accesorios o almacenar la herramienta.** Tales medidas preventivas de seguridad reducen el riesgo de arrancar la herramienta eléctrica accidentalmente.
4. **Almacene las herramientas que no utiliza fuera del alcance de los niños y no permita que las personas no familiarizadas con la herramienta eléctrica o estas instrucciones utilicen la herramienta eléctrica.** Las herramientas son peligrosas en manos de personas inexpertas.
5. **Mantenga la herramienta eléctrica y los accesorios. Compruebe si las partes móviles están alineadas o fijas, si no hay piezas rotas o cualquier otro problema que pueda afectar el rendimiento de la herramienta eléctrica. Si hay daños, repare la herramienta eléctrica antes de utilizarla.** Se ocasionan muchos accidentes por el mal mantenimiento de las herramientas eléctricas.

### Uso y cuidado de la herramienta a batería

1. **Cargue solamente con el cargador especificado por el fabricante.** Un cargador adecuado para un tipo de batería puede crear un riesgo de incendio al utilizarlo con otras baterías.
2. **Utilice la herramientas eléctricas solamente con las baterías específicamente diseñadas para ellas.** El uso de cualquier otra batería puede crear un riesgo de incendio o lesión.
3. **Cuando la batería no esté en uso, manténgala alejada de los objetos metálico, como clips de papel, monedas, llaves, clavos, tornillos u otros objetos metálicos pequeños que puedan realizar una conexión de un terminal a otro.** El cortocircuito en los terminales de la batería puede provocar quemaduras o incendios.
4. **En condiciones abusivas, el líquido puede ser expulsado de la batería.** Evite su contacto. En caso de contacto accidental, enjuague con agua. Si el líquido entra en contacto los ojos, solicite ayuda médica. El líquido expulsado de la batería puede causar irritaciones y quemaduras.
5. **No utilice baterías o herramientas que están dañadas o modificadas.** Las baterías dañadas o modificadas pueden tener un comportamiento imprevisible y provocar incendios, explosiones o riesgo de lesiones.
6. **No exponga la batería o la herramienta al fuego o temperatura excesiva.** La exposición al fuego o temperatura superior a 130 °C puede causar una explosión.

7. **Siga todas las instrucciones de carga y no cargue la batería o la herramienta fuera del intervalo de temperatura especificado en las instrucciones.**

Una carga incorrecta o fuera del intervalo de temperatura especificado puede dañar la batería o aumentar el riesgo de incendio.

### Mantenimiento

**1. El mantenimiento debe ser realizado por el personal de reparación cualificado utilizando solo repuestos idénticos.** Esto garantizará que se mantenga la seguridad de la herramienta eléctrica.

**2. Nunca realice trabajos de mantenimiento de baterías dañadas.**

Cualquier mantenimiento de la baterías debe ser realizado por el fabricante o centros de servicio autorizados.

### Advertencias para atornilladores y llaves de impacto

**1. Sujete la herramienta eléctrica por las superficies de agarre con aislamiento cuando realice una operación en la que el elemento de fijación pueda entrar en contacto con cableado oculto.** El contacto del elemento de fijación con un cable «activo» puede poner las partes metálicas de la herramienta eléctrica «bajo tensión» y provocar una descarga eléctrica al operador.

### Información sobre ruido y vibración

Valores de emisión de ruido determinados según la norma EN 62841-2-2.

Por lo general, el nivel de ruido ponderado A de la herramienta eléctrica es: Nivel de presión acústica: 83 dB(A). Nivel de potencia acústica: 94 dB(A). Incertidumbre: K = 5 dB.

¡Use protección auditiva!

Valores totales de vibración ah (suma de vectores triaxiales) determinados según la norma EN 62841-2-6:

Perforación en metal: ah = 4,5 m/s<sup>2</sup>, K = 1,5 m/s<sup>2</sup>

El nivel de vibración y el nivel de emisión de ruido indicados en estas instrucciones han sido medidos de acuerdo con un procedimiento de medición normalizado y se pueden utilizar para comparar herramientas eléctricas. También se pueden utilizar para una estimación preliminar de las emisiones de vibración y ruido.

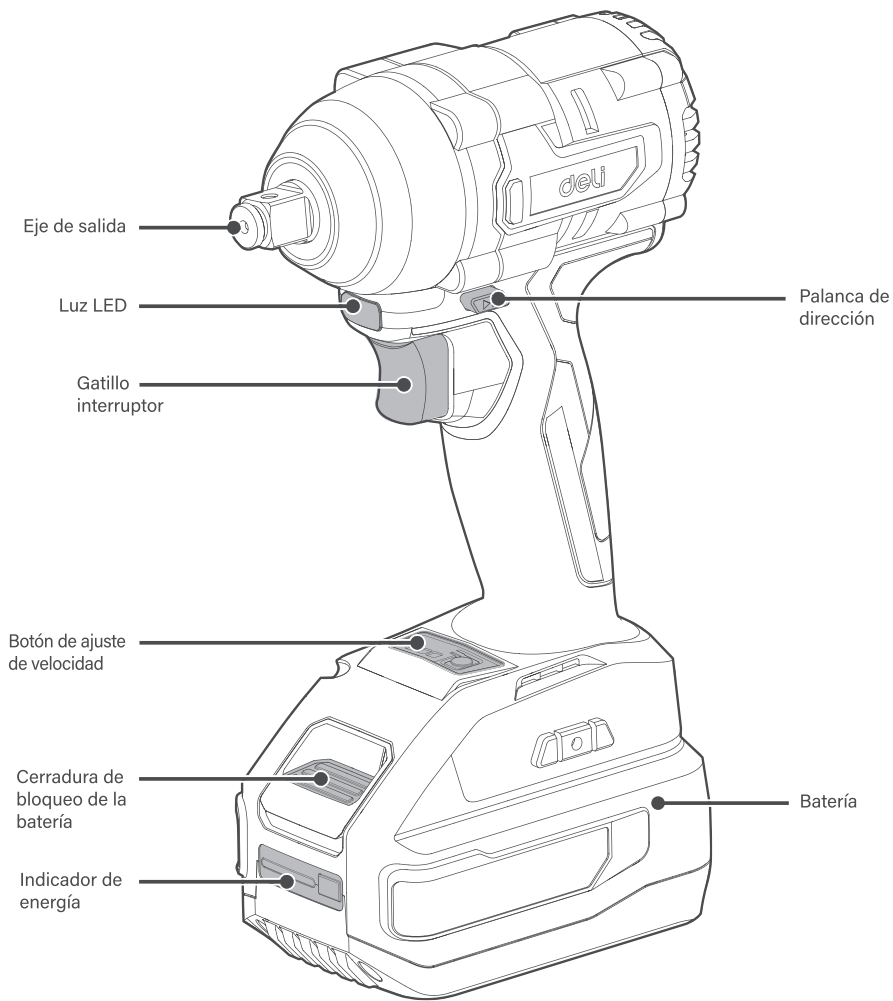
El nivel de vibración y de emisión de ruido indicados representan las aplicaciones principales de la herramienta eléctrica. Sin embargo, si la herramienta eléctrica se usa para otras aplicaciones, con diferentes herramientas de aplicación o se ha efectuado un mantenimiento insuficiente de la

herramienta, el nivel de vibración y ruido pueden diferir. Esto puede aumentar notablemente las emisiones de vibración y de ruido durante el tiempo total de trabajo.

Para una estimación exacta de las emisiones de vibración y ruido, deberían tenerse en cuenta también los momentos en los que la herramienta está apagada o bien, está en funcionamiento, pero sin ser utilizada realmente.

Esto puede reducir notablemente las emisiones de vibración y ruido durante el tiempo total de trabajo. Implemente medidas de seguridad adicionales para proteger al operario de los efectos de las vibraciones, como el mantenimiento de la herramienta eléctrica y las herramientas de aplicación, mantener sus manos calientes y organizar los flujos de trabajo correctamente.





## Preparación antes del funcionamiento

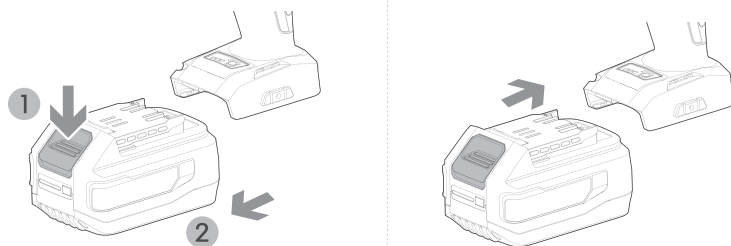
**Nota:** Lea el manual de instrucciones antes del uso.

### 1 Insertar/retirar la batería

Cuando instale o retire la batería, asegúrese de que la máquina esté apagada.

Cuando retire la batería, pulse el botón sobre la batería mientras la extrae de la herramienta.

Cuando instale la batería, alinee la lengüeta de la batería con el surco de la carcasa de la máquina y luego insértela. Insértela completamente en su lugar hasta que la batería esté bloqueada y haga clic. Si no se instala correctamente, la batería puede desprenderse de la herramienta y provocar lesiones personales.



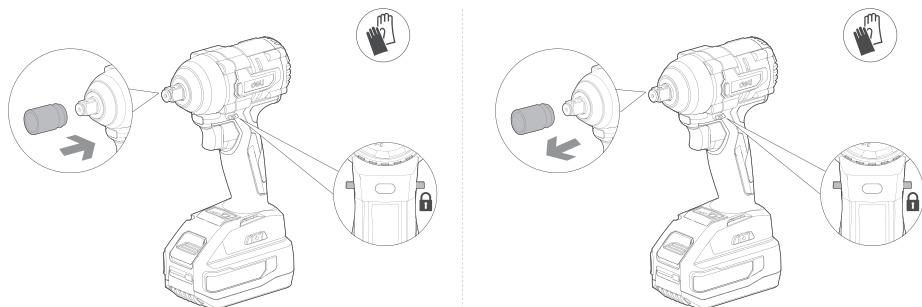
### 2 Insertar/retirar el manguito de impacto



**¡Advertencia! Seleccione el manguito que sea del tamaño correcto y adecuado para pernos y tuercas antes del uso, de lo contrario, puede causar un par incorrecto o dañar los pernos y las tuercas.**

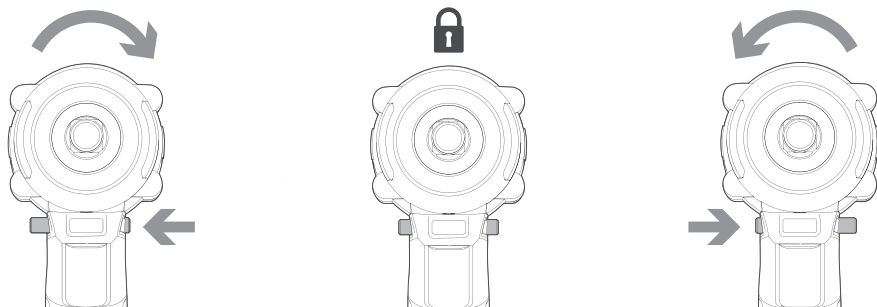
Los manguitos de impacto sin junta tórica ni pasador: Después de alinear el orificio lateral del manguito con el pasador cuadrado, pulse y presione el manguito en la punta direccional hasta que encaje en su lugar. La posición puede ajustarse dando unos golpecitos suaves en el manguito. Si necesita retirar el manguito, simplemente tire de él hacia fuera.

Manguito de impacto con junta tórica y pasador: Saque la junta tórica del surco del manguito de impacto y retire el pasador del manguito de impacto. Coloque el manguito de impacto en el eje de salida cuadrado alineando el orificio del manguito de impacto con el orificio del eje de salida. Pase el pasador por los orificios del manguito de impacto y del eje de salida. Luego vuelva a colocar la junta tórica en su posición inicial en el surco del manguito de impacto para asegurar el pasador. Siga el orden inverso a la instalación cuando retire el manguito de impacto.



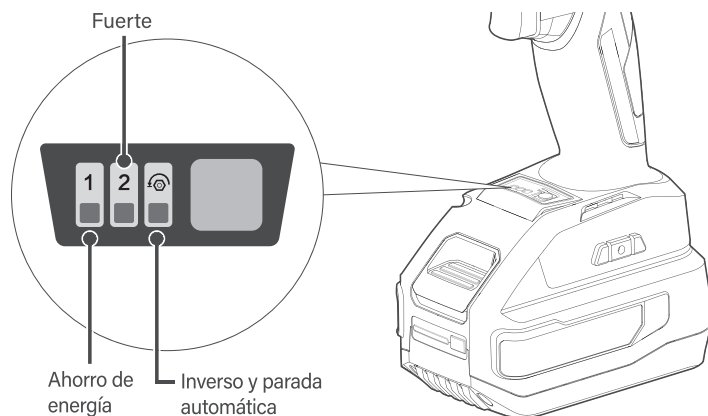
### 3 Interruptor de avance y retroceso

Esta herramienta dispone de una palanca hacia delante y hacia atrás, que puede cambiar la dirección de rotación de la máquina. En sentido horario para apretar y en sentido contrario al reloj para desatornillar. Asegúrese de que la máquina esté en un estado sin carga cuando accione el botón de dirección.



### 4 Control de velocidad variable

El modo de impacto se puede cambiar a través de tres velocidades: modo de ahorro de energía, fuerte y de parada automática. Cubra las necesidades de diferentes condiciones de funcionamiento.



## 5 Encendido/Apagado

Advertencia: Un par excesivo puede dañar los pernos, las tuercas o los manguitos.

Antes del uso, asegúrese de probarla y asegúrese de que el manguito está fijo. Sujete la herramienta firmemente y coloque el manguito en el perno o la tuerca. Pulse el interruptor para encenderla, y el par se ajustará adecuadamente según el tipo o tamaño del perno y del material de fijación.

## 6 Indicateur à LED



**¡Advertencia! Asegúrese de que la luz LED se encienda al pulsar el interruptor cuando la palanca de dirección está posicionada en el extremo izquierdo o derecho.**

Esta herramienta está equipada con un sistema de protección de la batería/herramienta. Este sistema puede cortar automáticamente la fuente de alimentación del motor para prolongar la vida útil de la batería y la herramienta. Si la herramienta o la batería están en las siguientes condiciones durante el funcionamiento, la herramienta dejará de funcionar automáticamente. La luz indicadora iluminará en algunos casos.

**Protección contra sobrecarga:** La herramienta deja de funcionar automáticamente cuando se utiliza la herramienta/batería de tal manera que cause una corriente anormalmente alta. En este caso, apague la herramienta y detenga la aplicación que causó la sobrecarga en la herramienta. Luego encienda la herramienta para reiniciar.

**Protección contra sobrecalentamiento:** La herramienta deja de funcionar automáticamente cuando la herramienta/batería se sobrecalienta. En este caso, espere a que se enfríe antes de volver a encender la herramienta.

**Protección contra sobrecalentamiento:** Esta herramienta deja de funcionar automáticamente cuando la energía restante de la batería disminuye. Si este producto no funciona incluso con el interruptor encendido, retire la batería de la herramienta y cárgala.

**Protección por otros motivos:** El sistema de protección también es adecuado para otras situaciones que puedan dañar la herramienta, con lo que la herramienta deja de funcionar automáticamente. Cuando la herramienta deja de trabajar de repente o temporalmente, realice los siguientes pasos para eliminar la causa de la anomalía.

1. Apague la herramienta y enciéndala de nuevo.
2. Cargue la batería o reemplácela con una recargable.
3. Espere a que se enfríen la herramienta y la batería.

## Resolución de problemas

### 1. ¿Por qué no puedo insertar la batería en el cargador?

La batería solo se puede insertar en la herramienta en una dirección. Gire la batería hasta que se pueda insertar en el orificio del cargador. Cuando la luz indicadora roja del cargador se ilumina hasta que la batería se pueda insertar en el cargador, significa que se inicia la carga cuando la luz roja indicador del cargador se ilumina.

### 2. ¿Por qué varía el tiempo de funcionamiento de la misma batería?

Si una batería se deja de utilizar durante mucho tiempo, se acortará el tiempo de funcionamiento, que es el problema de los tiempos de carga. Esta situación mejorará después de varias cargas y usos. La energía de la batería también se agota rápido cuando se realizan trabajos pesados. No cargue la batería en ambientes por debajo de 0°C o por encima de 30°C, ya que esto puede afectar a su rendimiento.

## Mantenimiento



**¡Advertencia! Antes de realizar cualquier reemplazo o trabajo de mantenimiento en la máquina, asegúrese de desconectar primero el enchufe.**

**Antes de realizar cualquier reemplazo o trabajo de mantenimiento en la máquina, asegúrese de retirar primero la batería.**

Su herramienta eléctrica no requiere lubricación adicional o mantenimiento. No limpie la herramienta eléctrica con agua o agentes químicos de limpieza, solo límpiela con paño seco. La herramienta debe almacenarse en un ambiente seco manteniendo limpios los respiradores del motor. Trate de no utilizarla en un entorno polvoriento.

## Protección medioambiental



### Eliminación de basura

En respuesta a la protección medioambiental, las máquinas dañadas, los accesorios y los materiales de embalaje se deben clasificar cuidadosamente para un reciclaje fácil. A fin de facilitar la clasificación y el reciclaje, todas las piezas de plástico están marcadas con materiales.

# Tarjeta de garantía del producto

## Estimados usuarios:

Gracias por comprar nuestros productos. Con el fin de garantizar su beneficio, los usuarios que compran nuestros productos pueden ponerse en contacto con el distribuidor local o las estaciones de reparación especificadas con factura(s) y tarjeta(s) de garantía si el producto falla debido a problemas de calidad.

## Aviso de garantía:

1. De \_\_\_\_\_ (Año/Mes/Día) a \_\_\_\_\_ (Año/Mes/Día), Si la falla ocurre durante el uso normal, nuestra compañía ofrecerá garantía gratuita, reemplazo de piezas y otros servicios de acuerdo con la situación de la falla.
2. Esta tarjeta de garantía y la factura de compra son el comprobante del servicio posventa proporcionado por nuestra empresa a los clientes. La tarjeta debe detallarse solo después de completar el siguiente formulario y colocar el sello oficial del distribuidor.
3. En los siguientes casos, el servicio de garantía gratuito no será válido y se exigirán tarifas de mantenimiento:
  - ( 1 ) Exceder la fecha de vencimiento.
  - ( 2 ) Fallo o daño causado por no seguir los requisitos del manual del producto o un mantenimiento o almacenamiento inadecuados.
  - ( 3 ) Fallo o daño causado por el desmontaje, la reparación o la modificación del producto sin el permiso de nuestra empresa.
  - ( 4 ) Avería de la máquina o daños causados por fuerza mayor.
  - ( 5 ) Accesorios consumibles.

Esta tarjeta se emite con el producto. Una tarjeta por máquina; para garantizar que pueda disfrutar plenamente del derecho al servicio de garantía gratuito proporcionado por la empresa, guarde esta tarjeta debidamente, la pérdida no será reemplazada.

Fecha de compra: \_\_\_\_\_ (Año/Mes/Día)

## Certificado de producto

Inspector:

01

Fecha de fabricación:

### **NINGBO DELI TOOLS CO., LTD.**

N° 128 Chezhan West Road, Huangtan Town,

Ninghai County, Ningbo, Zhejiang, China

[delitoolsglobal@nbdeli.com](mailto:delitoolsglobal@nbdeli.com)

[www.delitoolsglobal.com](http://www.delitoolsglobal.com)

+86 574 87562689

FABRICADO EN CHINA

### **Reservado para uso futuro**

Versión: 1.0

Fecha: Junio, 2022



## Especificações

Modelo	DE-BS20-1D2
Tensão nominal	20V
Binário máx.	350N.m
Velocidade sem carga	0-2300/2800/min
Frequência de impacto	0-3200/3600ipm
Diâmetro do mandril	12.7mm
Peso da máquina	1.1kg

**⚠ Aviso! Utilize apenas os conjunto da bateria e carregadores listados. Utilizar outros tipos de conjuntos da bateria ou carregadores pode provocar ferimentos pessoais e/ou incêndio.**

Recomenda-se que selecione os acessórios na loja onde adquiriu a sua ferramenta elétrica. Selecione os acessórios corretos para o seu trabalho. Consulte o pacote de acessórios para obter mais métodos e ajuda para a utilização.

Conjunto da bateria	DE-DC20A2	2.0Ah
	DE-DC20A3	2.5Ah
	DE-DC20A4	4.0Ah
	DE-DC20A5	5.0Ah
	DE-DC20A6	6.0Ah
	DE-DC20B8	8.0Ah
Carregador	DE-CD20A2E	2A de carga única
	DE-CD20D4E	4A de carga dupla
	DE-CD20A8E	8A de carga única

## Símbolos

Leia as instruções	Sinais de aviso	Use luvas de proteção	Não coloque dentro de água
Use abafadores auriculares de ruído	Use óculos de proteção	Bloqueio	Não coloque no fogo
Use máscaras	Alta velocidade	Baixa velocidade	
Madeira	Perfurar orifício	As baterias contém íões de lítio. Para proteger o ambiente, as baterias descarregadas devem ser separadas e recicladas e não devem ser atiradas junto com o lixo doméstico.	
Metal	Chave de fendas	 Li-Ion	



## Instruções originais

### Avisos gerais de segurança de ferramentas elétricas

**AVISO Leia todos os avisos de segurança, instruções, ilustrações e especificações fornecidas com esta ferramenta elétrica.**

O não cumprimento de todas as instruções listadas abaixo pode resultar em choque elétrico, incêndio e/ou ferimentos graves.

**Guarde todos os avisos e instruções para referência futura.**

O termo "ferramenta elétrica" dos avisos refere-se à sua ferramenta elétrica acionada a partir da rede elétrica (com fio) ou à ferramenta elétrica acionada a bateria (sem fio).

### Segurança da área de trabalho

- 1. Mantenha a área de trabalho limpa e bem iluminada.** Áreas desorganizadas ou escuras convidam a acidentes.
- 2. Não opere ferramentas elétricas em atmosferas explosivas, tais como na presença de líquidos inflamáveis, gases ou pó.** As ferramentas elétricas criam faíscas que podem incendiar o pó ou os fumos.
- 3. Mantenha as crianças e todos os presentes afastados durante o funcionamento de uma ferramenta elétrica.** As distrações podem causar a perda de controlo.

### Segurança elétrica

- 1. As fichas das ferramentas elétricas devem corresponder à tomada. Nunca modifique a ficha de forma alguma. Não utilize fichas adaptadoras com ferramentas elétricas ligadas à terra.** Fichas sem alterações e as tomadas correspondentes reduzirão o risco de choque elétrico.
- 2. Evite o contacto do corpo com superfícies de ligação à terra ou aterradas, tais como tubos, radiadores, grelhas e refrigeradores.** Existe um risco acrescido de choque elétrico se o seu corpo estiver ligado à terra.
- 3. Não exponha ferramentas elétricas a condições de chuva ou humidade.** A entrada de água numa ferramenta elétrica irá aumentar o risco de choque elétrico.
- 4. Não maltrate o cabo. Nunca utilize o cabo para transportar, puxar ou desligar a ferramenta elétrica. Mantenha o cabo longe do calor, óleo, arestas afiadas ou peças móveis.** Os cabos danificados ou enredados aumentam o risco de choque elétrico.
- 5. Ao operar uma ferramenta elétrica ao ar livre, utilize um cabo de extensão adequado para utilização ao ar livre.** A utilização de um cabo adequado para o exterior reduz o risco de choque elétrico.

- 6. Se operar uma ferramenta elétrica num local húmido for inevitável, utilize um dispositivo de corrente residual (DCR) para alimentação protegida.** A utilização de um DCR reduz o risco de choque elétrico.

### Segurança pessoal

- 1. Fique atento, observe o que está a fazer e use o bom senso ao operar uma ferramenta elétrica. Não utilize uma ferramenta elétrica quando estiver cansado ou sob a influência de drogas, álcool ou medicamentos.** Um momento de desatenção durante a utilização de uma ferramenta elétrica pode resultar em sérios danos pessoais.
- 2. Utilize equipamento de proteção pessoal. Use sempre equipamento de proteção para os olhos.** O equipamento de proteção, como uma máscara de proteção contra o pó, sapatos de segurança antiderrapantes, capacete ou proteção auditiva utilizados em condições apropriadas, reduzirá os ferimentos pessoais.
- 3. Evite o arranque involuntário. Assegure-se de que o interruptor está na posição de desligado antes de ligar à fonte de alimentação e/ou bateria, e antes de pegar ou transportar a ferramenta.** Transportar ferramentas elétricas com o dedo no interruptor ou ligar a energia de ferramentas elétricas que tenham o interruptor ligado convida a acidentes.
- 4. Remova qualquer chave inglesa ou chave de ajuste antes de ligar a ferramenta elétrica.** Uma chave inglesa ou uma chave de ajuste deixada presa a uma parte rotativa da ferramenta elétrica pode resultar em ferimentos pessoais.
- 5. Não exagere o alcance. Mantenha sempre os pés assentes e o equilíbrio adequado.** Isto permite um melhor controlo da ferramenta elétrica em situações inesperadas.
- 6. Vista-se adequadamente. Não use roupa solta ou joias. Mantenha o cabelo e a roupa longe de peças móveis.** Roupas soltas, joias ou cabelo comprido podem ser apanhados por peças em movimento.
- 7. Se forem fornecidos dispositivos para a ligação de instalações de extração e recolha de pó, certifique-se de que estes estão ligados e são devidamente utilizados.** A utilização de dispositivos de recolha de poeira pode reduzir os perigos relacionados com o pó.
- 8. Não deixe que a familiaridade adquirida com o uso frequente de ferramentas lhe permita tornar-se complacente e ignorar os princípios de segurança das ferramentas.** Uma ação descuidada pode causar lesões graves numa fração de segundo.

## Uso e cuidados a ter com ferramentas elétricas

- 1. Não force a ferramenta elétrica. Utilize a ferramenta elétrica correta para a sua aplicação.** A ferramenta elétrica correta fará o trabalho melhor e de forma mais segura ao ritmo para o qual foi concebida.
- 2. Não utilize a ferramenta elétrica se o interruptor não se ligar e desligar.** Qualquer ferramenta elétrica que não possa ser controlada com o interruptor é perigosa e deve ser reparada.
- 3. Desligue a ficha da fonte de alimentação e/ou remova a bateria da ferramenta elétrica, se esta for destacável, antes de fazer quaisquer ajustes, trocar acessórios ou de armazenar as ferramentas elétricas.** Tais medidas preventivas de segurança reduzem o risco de arranque acidental da ferramenta elétrica.
- 4. Armazene as ferramentas elétricas inativas fora do alcance das crianças e não permita que pessoas não familiarizadas com elas ou com estas instruções operem as ferramentas elétricas.** As ferramentas elétricas são perigosas nas mãos de utilizadores não treinados.
- 5. Manutenção das ferramentas elétricas e acessórios. Verifique se há desalinhamento de peças móveis ou se estas estão coladas, se existem peças quebradas e qualquer outra condição que possa afetar o funcionamento da ferramenta elétrica. Em caso de danos, mande reparar a ferramenta elétrica antes de a utilizar.** Muitos acidentes são causados por ferramentas elétricas com manutenção deficiente.
- 6. Mantenha as ferramentas de corte afiadas e limpas.** As ferramentas de corte com arestas cortantes afiadas com manutenção adequada têm menos probabilidades de se colarem e são mais fáceis de controlar.
- 7. Utilize a ferramenta elétrica, acessórios e peças da ferramenta, etc., de acordo com estas instruções, tendo em conta as condições específicas e o trabalho a ser realizado.** A utilização da ferramenta elétrica para operações diferentes daquelas para as quais foi concebida pode resultar numa situação perigosa.
- 8. Mantenha as pegas e as superfícies para agarrar secas, limpas e isentas de óleo e gordura.** As pegas e as superfícies de agarrar escorregadias não permitem um manuseamento e controlo seguros da ferramenta em situações inesperadas.

## Utilização e cuidados a ter com baterias

- 1. Recarregue apenas com o carregador especificado pelo fabricante.** Um carregador que é adequado para um tipo de conjunto de baterias pode criar um risco de incêndio quando utilizado com outro conjunto de baterias.
- 2. Utilize ferramentas elétricas apenas com os conjuntos de baterias especificamente designados.** A utilização de outros conjuntos de baterias pode criar um risco de ferimento e incêndio.
- 3. Quando o conjunto de baterias não está a ser utilizado, mantenha afastado de outros objetos de metal, como cliques de papel, moedas, chaves, pregos, parafusos ou outros pequenos objetos de metal, que podem fazer a ligação de um terminal com o outro.** Colocar os terminais da bateria juntos em curto-circuito pode provocar queimaduras ou um incêndio.
- 4. Sob condições abusivas, pode sair líquido da bateria; evite o contacto. Se o contacto ocorrer acidentalmente, lave com água. Se o líquido entrar em contacto com os olhos procure também ajuda médica.** O líquido que derrame da bateria pode provocar irritação ou queimaduras.
- 5. Não utilize um conjunto de baterias ou ferramenta que esteja danificado ou tenha sido modificado.** Baterias danificadas ou modificadas podem apresentar um comportamento inesperado, que resulta em incêndio, explosão ou risco de ferimentos.
- 6. Não exponha o conjunto da bateria ou a ferramenta ao fogo ou a temperaturas excessivas.** A exposição ao fogo ou a temperaturas acima de 130 °C pode provocar explosão.
- 7. Siga todas as instruções de carregamento e não carregue o conjunto de baterias ou a ferramenta fora do intervalo de temperatura especificado nas instruções.** O carregamento inapropriado ou a temperaturas fora do intervalo especificado pode danificar a bateria e aumentar o risco de incêndio.

## Manutenção

- 1. Faça a manutenção da sua ferramenta elétrica por um técnico de reparação qualificado, utilizando apenas peças de substituição idênticas.** Isto garantirá que a segurança da ferramenta elétrica é mantida.

2. **Nunca repare conjuntos de baterias danificados.** A reparação de conjuntos de baterias só deve ser efetuada pelo fabricante ou por prestadores de serviços autorizados.

### Avisos de segurança do martelo

#### Instruções de segurança para todas as operações

1. **Utilize protetores auditivos.** A exposição ao ruído pode provocar perda de audição.
2. **Utilize pega(s) auxiliar(es), caso sejam facultadas com a ferramenta.** A perda de controlo pode provocar ferimentos pessoais.
3. **Segure a ferramenta devidamente antes de utilizar.** Esta ferramenta produz um binário de saída elevado e se não segurar devidamente a ferramenta durante o funcionamento, pode perder o controlo, resultando em ferimentos pessoais.
4. **Segure a ferramenta elétrica apenas pelas superfícies de agarrar isoladas, ao executar uma operação em que o acessório de corte possa entrar em contacto com cabos ocultos ou com o seu próprio cabo.** O acessório de corte em contacto com um cabo elétrico "sob tensão" pode colocar "sob tensão" as partes metálicas expostas da ferramenta elétrica e pode causar um choque elétrico ao operador.

#### Instruções de segurança quando utiliza brocas de perfuração longas com martelos rotativos

1. **Comece sempre a perfurar a baixa velocidade, com a ponta da broca em contacto com a peça de trabalho.** A velocidades superiores, é provável que a broca dobre se puder rodar livremente sem contacto com a peça de trabalho, resultando em ferimentos pessoais.
2. **Aplique pressão apenas numa direção alinhada com a broca e não aplique pressão excessiva.** As brocas podem dobrar, provocando a sua quebra ou perda de controlo, resultando em ferimentos pessoais.

#### Informação sobre ruído/vibração

Valores de emissão de ruído determinados de acordo com a norma EN 62841-2-6.

Normalmente, o nível de ruído ponderado A da ferramenta elétrica é: Nível de pressão sonora 83 dB(A); nível de potência sonora 94 dB(A). Incerteza K = 5 dB.

Use proteção auditiva!

Valores totais de vibração ah (soma vetorial triaxial) e incerteza K determinados de acordo com a norma

EN 62841-2-6:

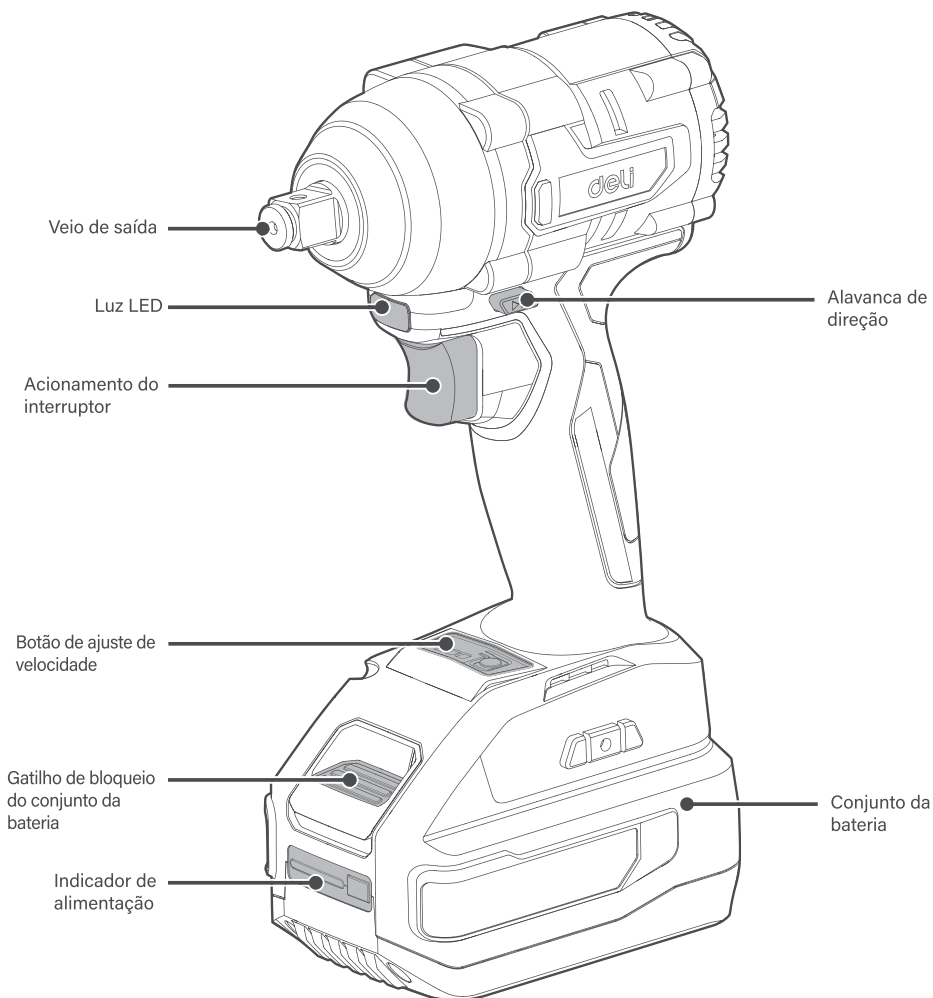
Perfurar em metal: ah = 4,5 m/s<sup>2</sup>, K = 1,5 m/s<sup>2</sup>

O nível de vibração e o valor de emissão de ruído indicados nestas instruções foram medidos de acordo com um processo de medição normalizado e podem ser utilizados para comparar ferramentas elétricas. Podem também ser utilizados para uma estimativa preliminar das emissões de vibrações e de ruído.

O nível de vibração e o valor de emissão de ruído indicados representam as principais aplicações da ferramenta elétrica. No entanto, se a ferramenta elétrica for utilizada para outras aplicações, com ferramentas de aplicação diferentes ou se a sua manutenção for deficiente, o nível de vibração e o valor de emissão de ruído podem ser diferentes. Este facto pode aumentar significativamente as emissões de vibrações e de ruído durante todo o período de trabalho.

Para estimar com exatidão as emissões de vibrações e de ruído, devem também ser tidos em conta os períodos em que a ferramenta está desligada ou em funcionamento mas não está a ser utilizada.

Este facto pode reduzir significativamente as emissões de vibrações e de ruído durante todo o período de trabalho. Implemente medidas de segurança adicionais para proteger o operador dos efeitos das vibrações, tais como a manutenção da ferramenta elétrica e das ferramentas de aplicação, manter as mãos quentes e a organização correta dos fluxos de trabalho.



## Preparação antes da operação

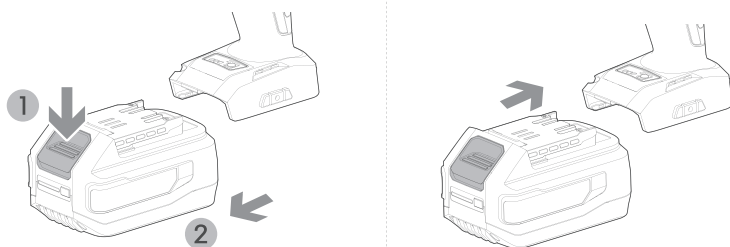
**Nota: Leia o Manual de Instruções antes de operar.**

### 1 Instalar/remover conjunto da bateria

Quando instala ou remove o conjunto da bateria, certifique-se de que a máquina está num estado de desligada;

Quando remove o conjunto da bateria, prima o botão acima do conjunto da bateria enquanto puxa para fora da ferramenta;

Quando instala o conjunto da bateria, alinhe a palheta na bateria com a ranhura na estrutura da máquina e deslize para a posição. Insira por completo na posição até o conjunto da bateria ficar bloqueado e ouvir um clique. Se não estiver instalado devidamente, pode fazer com que o conjunto da bateria se separe da ferramenta e provoque ferimentos pessoais.



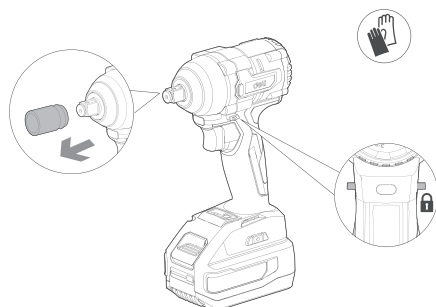
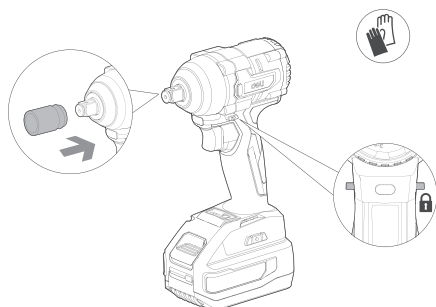
### 2 Inserir/retirar el manguito de impacto



**Aviso! Seleccione a manga como tamanho correto e que é adequada para parafusos e porcas antes de utilizar, caso contrário pode provocar um binário impreciso ou danificar os parafusos e as porcas.**

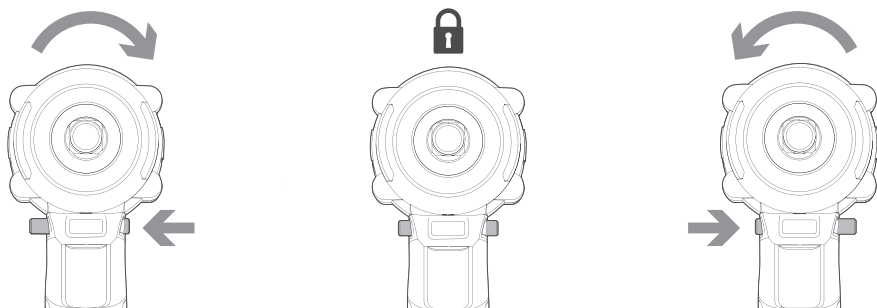
Manga de impacto sem junta circular (o-ring) e pino: Depois de alinhar o orifício lateral da manga com o pino quadrado, empurre e pressione a manga no prego direcional, até fazer clique na posição. A posição pode ser ajustada ao bater ligeiramente na manga. Se precisar de remover a manga, basta puxar para fora.

Manga de impacto com junta circular (o-ring) e pino: Mova a junta circular para fora da ranhura da manga de impacto e remova o pino da manga de impacto. Coloque a manga de impacto no veio de saída quadrado, ao alinhar o orifício na manga de impacto com o orifício no veio de saída. Passe o pino pelos orifícios na manga de impacto e pelo veio de saída. Mova então a junta circular (o-ring) de volta à sua posição original na ranhura da manga de impacto para fixar o pino. Siga os passos na ordem inversa aos passos durante a instalação quando remove a manga de impacto.



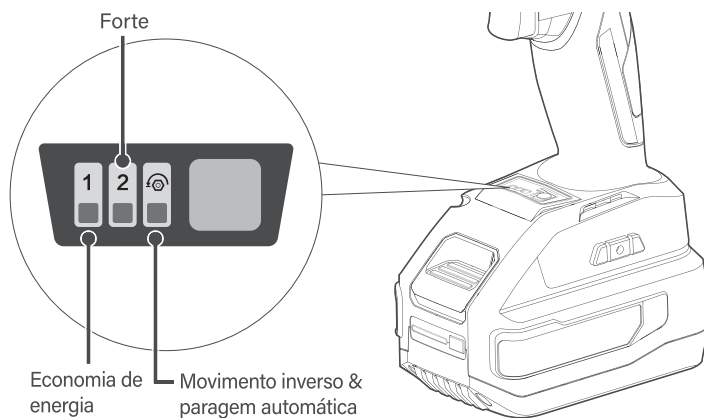
### 3 Alterar o movimento para a frente e para trás

Esta ferramenta está equipada com uma alavanca de movimento para a frente e para trás, que pode ajustar a direção da rotação da máquina. Girar para a direita para apertar e girar para a esquerda para desapertar. Certifique-se de que a máquina está num estado sem carga quando altera o botão de direção.



### 4 Controlo de velocidade variável

O modo de impacto pode ser alterado através de três posições: economia de energia, modo forte e modo de paragem automática. Cumpra as necessidades de diferentes condições de funcionamento.



## 5 Ligar/Desligar

Aviso: O binário excessivo pode danificar os parafusos/porcas ou mangas.

Antes de utilizar, certifique-se de que experimenta e que garante que a manga está apertada. Segure bem a ferramenta e coloque a manga no parafuso ou porca. Prima o interruptor para ligar e o binário será ajustado devidamente, dependendo do tipo ou tamanho do parafuso e do material de fixação.

## 6 Indicação LED



**Aviso! Certifique-se de que a luz LED se liga quando prime o interruptor quando a alavanca está na posição mais afastada à esquerda ou à direita.**

Esta ferramenta está equipada com um sistema de proteção da ferramenta/bateria. Este sistema pode cortar automaticamente a fonte de alimentação para o motor para aumentar a durabilidade da ferramenta e da bateria. Se a ferramenta ou a bateria estiverem nas seguintes condições durante o funcionamento, a ferramenta irá automaticamente parar de funcionar. A luz indicadora irá acender-se em alguns casos.

**Proteção contra sobrecarga:** A ferramenta irá automaticamente parar de funcionar quando operar a ferramenta/bateria de uma forma que provoque corrente anormalmente elevada. Neste caso, desligue a ferramenta e pare a aplicação que provocou a sobrecarga da ferramenta. Depois ligue a ferramenta para reiniciar.

**Proteção contra sobreaquecimento:** A ferramenta irá automaticamente parar de funcionar quando a ferramenta/bateria sobreaquecer. Neste caso, aguarde que a ferramenta arrefeça antes de voltar a ligar a ferramenta.

**Proteção contra descarga:** esta ferramenta para automaticamente de funcionar quando a carga restante da bateria diminui. Este produto não opera mesmo quando o interruptor é ligado, remova a bateria da ferramenta e carregue-a.

**Proteção por outros motivos:** O sistema de proteção também se adequa a outras situações que podem provocar danos à ferramenta, parando assim automaticamente o funcionamento da ferramenta. Quando a ferramenta para de funcionar temporariamente ou a meio do funcionamento, efetue todos os passos seguintes para eliminar a causa da anomalia.

1. Desligue a ferramenta e reinicie.
2. Carregue a bateria ou substitua por uma bateria recarregável.
3. Aguarde que as ferramentas e a bateria arrefeçam.

## Resolução de Problemas

### 1. Por que não consigo inserir o conjunto da bateria no carregador?

O conjunto da bateria só pode ser inserido no carregador numa direção. Rode o conjunto da bateria até este poder ser inserido no orifício do carregador. Quando a luz indicadora vermelha do carregador se acende até o conjunto da bateria poder ser inserido no orifício do carregador, indica que o carregamento começa quando a luz indicadora vermelha do carregador se acende.

### 2. Por que o tempo de funcionamento do mesmo conjunto da bateria pode variar?

Se um conjunto da bateria for deixado sem utilizar durante um longo período de tempo, isso irá encurtar o seu tempo de funcionamento, que é o problema dos tempos de carregamento. Esta situação será melhorada após vários carregamentos e utilizações. A carga do conjunto da bateria também será consumida rapidamente quando efetua trabalhos pesados. Não carregue o conjunto da bateria em ambientes abaixo de 0°C ou acima de 30°C, pois isto também pode afetar o seu desempenho.

## Manutenção



**Aviso! Antes de efetuar qualquer trabalho de substituição ou manutenção na máquina, certifique-se primeiro de que desligou a ficha da corrente elétrica.**

**Antes de efetuar qualquer trabalho de substituição ou manutenção na máquina, certifique-se primeiro de que removeu a bateria.**

A sua ferramenta elétrica não requer de lubrificação ou manutenção adicionais. Não ligue as suas ferramentas elétricas com água ou agentes de limpeza químicos, basta limpar com um pano limpo e seco. As ferramentas devem ser guardadas num ambiente seco e as ventilações do motor devem ser mantidas limpas. Tente não utilizar num ambiente poeirento.

## Proteção ambiental



### **Eliminação de resíduos**

A fim de responder aos requisitos de proteção ambiental, deve fazer uma triagem cuidadosa das máquinas, acessórios e materiais de embalagem danificados para facilitar a sua reciclagem. A fim de facilitar a triagem e a reciclagem, todas as peças plásticas estão marcadas com símbolos que identificam os materiais.



# Cartão de Garantia de Produto

## Caros utilizadores:

Obrigado pela compra dos nossos produtos. A fim de garantir o benefício da sua compra, os utilizadores que compram os nossos produtos podem contactar o distribuidor local ou os pontos de reparação especificados com a fatura e os cartões de garantia se o produto falhar devido a problemas de qualidade.

## Aviso de Garantia:

1. A partir de \_\_\_\_\_ (Ano/Mês/Dia) até \_\_\_\_\_ (Ano/Mês/Dia), Se a falha acontecer numa utilização normal, a nossa empresa fornecerá garantia gratuita, substituição de peças e outros serviços de acordo com a situação da falha.
2. Este cartão de garantia e a fatura de compra são o comprovativo do serviço pós-venda fornecido pela nossa empresa aos clientes. O cartão só deve ser detalhado depois de preencher o seguinte formulário e fazer apor o selo oficial junto do distribuidor.
3. Em qualquer dos seguintes casos, o serviço de garantia gratuito será inválido e será necessário o pagamento de taxas de manutenção:
  - ( 1 ) Ultrapassada a data de validade da garantia.
  - ( 2 ) Falha ou danos causados por não terem sido seguidos os requisitos do manual do produto e/ou manutenção ou armazenamento inadequados.
  - ( 3 ) Avarias ou danos causados pela desmontagem, reparação ou modificação do produto sem a permissão da nossa empresa.
  - ( 4 ) Avaria do aparelho ou danos causados por motivo de força maior.
  - ( 5 ) Acessórios consumíveis.

Este cartão é emitido com o produto. Um cartão para cada máquina, para garantir que pode usufruir plenamente do direito ao serviço de garantia gratuito prestado pela empresa. Por favor, mantenha este cartão devidamente guardado, pois um cartão perdido não será substituído.

Data de compra: \_\_\_\_\_ (Ano/Mês/Dia)

## Certificado de producto

Inspector:

01

Fecha de fabricación:

### **NINGBO DELI TOOLS CO., LTD.**

N° 128 Chezhan West Road, Huangtan Town,

Ninghai County, Ningbo, Zhejiang, Chine

delitoolsglobal@nbdeli.com

www.delitoolsglobal.com

+86 574 87562689

FABRICADO EN CHINA

### **Reservado para uso futuro**

Versión: 1.0

Fecha: Junio, 2022



## Технические характеристики

Модель	DE-BS20-1D2
Номинальное напряжение	20V
Макс. крутящий момент	350N.m
Частота вращения без нагрузки	0-2300/2800/min
Частота ударов	0-3200/3600ipm
Диаметр патрона	12.7mm
Вес инструмента	1.1kg

**⚠ Внимание! Используйте только перечисленные аккумуляторные батареи и зарядные устройства. Использование других аккумуляторных батарей или зарядных устройств может привести к травме и/или пожару.**

Рекомендуется выбирать принадлежности в том же магазине, в котором вы приобрели электроинструмент. Выбирайте принадлежности, подходящие для ваших задач. Для справки ознакомьтесь с комплектом принадлежностей.

Аккумуляторная батарея	DE-DC20A2	2,0 Ач
	DE-DC20A3	2,5 Ач
	DE-DC20A4	4,0 Ач
	DE-DC20A5	5,0 Ач
	DE-DC20A6	6,0 Ач
	DE-DC20B8	8,0 Ач
Зарядное устройство	DE-CD20A2E	2 А, зарядка одного аккумулятора
	DE-CD20D4E	4 А, зарядка двух аккумуляторов
	DE-CD20A8E	8 А, зарядка одного аккумулятора

## Обозначения

Прочтите инструкцию	Предупреждающие знаки	Наденьте защитные перчатки	Не помещать изделие в воду
Наденьте защитные наушники	Наденьте защитные очки	Блокировка	Не помещать изделие в огонь
Наденьте маску	Высокая скорость вращения	Низкая скорость вращения	
Древесина	Режим дрели	Аккумуляторы содержат ионы лития. В целях защиты окружающей среды вышедшие из строя аккумуляторы необходимо сортировать и перерабатывать, а не выбрасывать в мусорное ведро.	
Металл	Режим шуруповерта	Аккумуляторы содержат ионы лития. В целях защиты окружающей среды вышедшие из строя аккумуляторы необходимо сортировать и перерабатывать, а не выбрасывать в мусорное ведро.	

## Оригинальная инструкция

### Общие предупреждения по технике безопасности при обращении с электроинструментом

**ПРЕДУПРЕЖДЕНИЕ.** Ознакомьтесь со всеми предупреждениями по технике безопасности, инструкциями, иллюстрациями и спецификациями, прилагаемые к этому электроинструменту.

Несоблюдение любых из перечисленных ниже инструкций может стать причиной поражения электрическим током, возгорания и/или тяжелых травм.

**Сохраните все предупреждения и инструкции для обращения к ним в будущем.**

Термин «электроинструмент» в предупреждениях относится к электроинструменту, работающему от сети (проводному), или к электроинструменту, работающему от аккумулятора (беспроводному).

### Безопасность рабочей зоны

- 1. Следите за тем, чтобы рабочее место было чистым и хорошо освещенным.** Загроможденные и плохо освещенное рабочее место может стать причиной несчастных случаев.
- 2. Не используйте электроинструменты во взрывоопасных средах, например в присутствии легковоспламеняющихся жидкостей, газов или пыли.** Электроинструменты создают искры, которые могут воспламенить пыль или пары.
- 3. Во время работы с электроинструментом не позволяйте детям и посторонним лицам приближаться к рабочей зоне.** Отвлекающие факторы могут привести к потере контроля над электроинструментом.

### Электрическая безопасность

- 1. Вилки электроинструмента должны соответствовать розетке. Ни в коем случае не модифицируйте вилку.** Запрещено использование переходников для подключения заземленных электроинструментов. Использование немодифицированных вилок и соответствующих им розеток снижает риск поражения электрическим током.
- 2. Не прикасайтесь к заземленным предметам, таким как трубы, отопительные батареи, кухонные плиты и холодильники.** Это уменьшит риск поражения электрическим током.

- 3. Не допускайте попадания влаги на электроинструмент и не используйте его во влажной среде.** Попадание воды в электроинструмент повышает риск поражения электрическим током.
- 4. Будьте осторожны с сетевым шнуром.** Запрещается использовать сетевой шнур для переноски, перемещения или отключения электроинструмента от сети. Держите сетевой шнур вдали от источников тепла, масла, острых краев и движущихся частей. Поврежденный или запутанный сетевой шнур повышает риск поражения электрическим током.
- 5. При работе с электроинструментом на открытом воздухе используйте удлинитель, подходящий для использования вне помещений.** Использование удлинителя, предназначенного для наружных работ, снижает риск поражения электрическим током.
- 6. При необходимости выполнять работы во влажной среде используйте источник электропитания, оборудованный устройством защитного отключения (УЗО).** Использование УЗО снижает риск поражения электрическим током.

### Личная безопасность

- 1. При работе с электроинструментом будьте внимательны, следите за своими действиями и руководствуйтесь здравым смыслом. Не работайте с электроинструментом, если вы утомлены, находитесь в состоянии алкогольного, наркотического опьянения или под воздействием лекарственных средств.** Малейшая невнимательность при работе с электроинструментом может привести к серьезной травме.
- 2. Используйте средства индивидуальной защиты. Всегда надевайте средства защиты глаз.** Средства индивидуальной защиты, такие как респиратор, защитная обувь с нескользящей подошвой, каска, средства защиты органов слуха, помогут вам избежать травм.
- 3. Не допускайте случайного запуска. Убедитесь, что выключатель находится в выключенном положении, перед тем как подключаться к источнику питания, брать или переносить электроинструмент.** Переноска электроинструмента с пальцем на выключателе или подключение к источнику питания во включенном состоянии может привести к несчастному случаю.
- 4. Перед включением электроинструмента снимите с него регулировочные и гаечные ключи.** Ключ, оставшийся на вращающейся части электроинструмента, может привести к травме.

5. **Не тянитесь слишком далеко.** Всегда сохраняйте надлежащую опору и равновесие. Это позволяет лучше контролировать электроинструмент в непредвиденных ситуациях.
6. **Одевайтесь правильно.** Не носите свободную одежду и украшения. Держите волосы и одежду подальше от движущихся частей. Свободная одежда, украшения или небубренные волосы могут попасть в движущиеся части.
7. **Если предусмотрены устройства для подключения приспособлений для удаления и сбора пыли, следите за тем, чтобы такие приспособления подключались и использовались надлежащим образом.** Использование пылеулавливающей системы может снизить влияние опасных факторов.
8. **Не допускайте того, чтобы в результате приобретенного опыта работы с электроинструментами вы потеряли бдительность и игнорировали технику безопасности.** Неосторожное действие может привести к серьезной травме в течение доли секунды.

#### Эксплуатация электроинструмента и уход за ним

1. **Не перегружайте электроинструмент.** Правильно подбирайте электроинструмент для работы. Правильно подобранный электроинструмент лучше и безопаснее выполняет работу на предусмотренных оборотах.
2. **Не используйте электроинструмент, если его невозможно включить и выключить выключателем.** Любой электроинструмент, которым нельзя управлять с помощью выключателя, опасен и подлежит ремонту.
3. **Отсоедините вилку от источника питания и/или извлеките из электроинструмента аккумуляторную батарею, если она съемная, прежде чем выполнять настройку, менять насадки или помещать электроинструмент на хранение.** Такие превентивные меры безопасности снижают риск случайного включения электроинструмента.
4. **Храните неиспользуемые электроинструменты в недоступном для детей месте и не позволяйте лицам, не знакомым с электроинструментом или данными инструкциями, работать с электроинструментом.** Электроинструменты опасны в руках неподготовленных пользователей.
5. **Поддерживайте электроинструменты и насадки в надлежащем рабочем состоянии.** Проверьте движущиеся детали на предмет несоосности или

заедания, выявите сломанные детали и другие условия, которые могут повлиять на работу электроинструмента. В случае повреждения отремонтируйте электроинструмент перед использованием. Многие несчастные случаи вызваны плохим обслуживанием электроинструмента.

6. **Держите режущие инструменты в заточенном и чистом состоянии.** Правильно обслуживаемые режущие инструменты с острыми режущими кромками с меньшей вероятностью заедают, и ими легче управлять.
7. **Используйте электроинструмент, принадлежности, насадки и т. д. в соответствии с настоящей инструкцией, принимая во внимание рабочие условия и выполняемую работу.** Использование электроинструмента для операций, отличных от предусмотренных, может привести к возникновению опасной ситуации.
8. **Держите ручки и поверхности для захвата сухими, чистыми и не допускайте попадания на них смазки.** Скользкие ручки и поверхности для захвата не позволяют безопасно обращаться с инструментом и контролировать его в непредвиденных ситуациях.

#### Эксплуатация аккумуляторных инструментов и уход за ними

1. **Используйте только зарядное устройство, указанное производителем.** Зарядное устройство, подходящее для одного типа аккумуляторов, может стать причиной возгорания при использовании его с аккумуляторами другого типа.
2. **Используйте электроинструменты только с предназначенными для них аккумуляторами.** Использование любых других аккумуляторов может привести к возникновению пожара и травмам.
3. **Когда аккумулятор не используется, держите его вдали от других металлических предметов, таких как скрепки, монеты, ключи, гвозди, винты или другие мелкие металлические предметы, которые могут соединить одну клемму с другой.** Короткое замыкание на клеммах аккумулятора может привести к ожогам или пожару.
4. **При небрежном обращении из аккумулятора может вытекать содержащаяся в нем жидкость; избегайте контакта с этой жидкостью.** При случайном контакте промойте место контакта водой. При попадании жидкости в глаза обязательно обратитесь за медицинской помощью. Жидкость, вытекающая из аккумулятора, может вызвать раздражение или ожоги.

- 5. Не используйте поврежденные или модифицированные аккумуляторы или инструменты.** Поврежденные или модифицированные аккумуляторы неустойчивы в работе, что может привести к возгоранию, взрыву или травмам.
- 6. Аккумулятор и инструменты не должны подвергаться воздействию огня или чрезмерной температуры.** Воздействие огня или температуры выше 130 °C может привести к взрыву.
- 7. Следуйте всем инструкциям по зарядке и не заряжайте аккумулятор или инструмент, если окружающая температура находится за пределами разрешенного диапазона.** Неправильная зарядка или зарядка при температурах, выходящих за пределы указанного диапазона, может привести к повреждению аккумулятора и значительно повышает риск возгорания.

### Обслуживание

- 1. Доверяйте обслуживание электроинструмента квалифицированному специалисту и используйте только оригинальные запасные части.** Это обеспечит безопасность электроинструмента.
- 2. Проводить обслуживание поврежденных аккумуляторов строго запрещено.** Таким обслуживанием должен заниматься только производитель или его уполномоченный представитель.

### Меры предосторожности при работе с шуруповертом и ударным гайковертом

- 1. В случаях, когда возможен контакт отрезного диска со скрытой электрической проводкой, держите электроинструмент за изолированную поверхность захвата.** Контакт диска с проводами под напряжением может привести к тому, что открытые части электроинструмента окажутся под напряжением, что способно стать причиной поражения электрическим током.

### Информация о шуме/вибрации

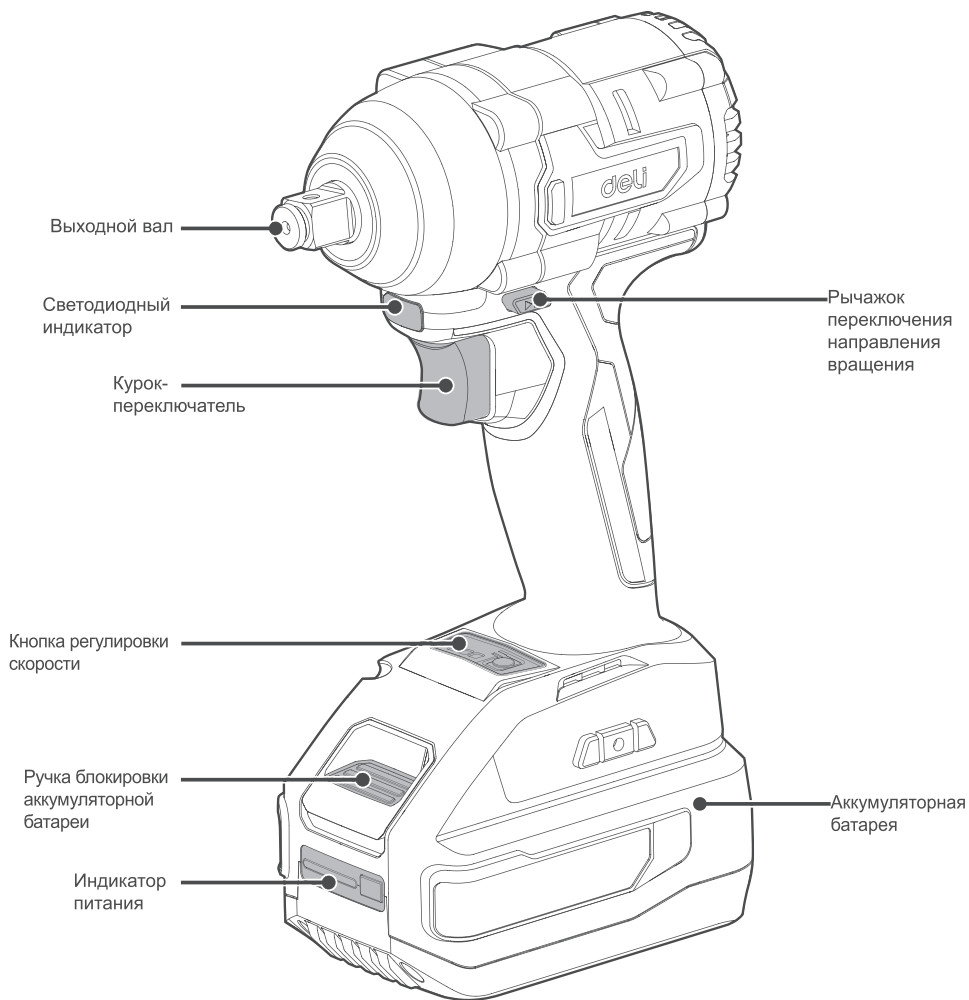
Значения уровня шума определены в соответствии со стандартом EN 62841-2-2.

Обычно A-взвешенный уровень шума электроинструмента составляет: Уровень звукового давления 83 дБ(A); уровень звуковой мощности 94 дБ(A). Погрешность K = 5 дБ.

Используйте средства защиты органов слуха! Суммарные значения вибрации  $a_h$  (векторная сумма по трем осям) и погрешность K определены в соответствии со стандартом EN 62841-2-6:

Сверление металла:  $a_h = 4,5 \text{ м/с}^2$ ,  $K = 1,5 \text{ м/с}^2$ .

Приведенные в данной инструкции значения уровня вибрации и шума были получены в соответствии со стандартной процедурой измерения и могут использоваться для сравнения электроинструментов. Их также можно использовать для предварительной оценки уровня создаваемых вибраций и шума. Приведенные уровни вибрации и шума соответствуют основным областям применения электроинструмента. Однако, если электроинструмент используется для других целей, с другим оборудованием или плохо обслуживается, уровни вибрации и шума могут отличаться от указанных. Это может значительно повысить уровень вибрации и шума в течение всего рабочего периода. Для точной оценки уровней вибрации и шума следует также учитывать время, когда инструмент выключен или когда он включен, но фактически не используется. Это может значительно снизить уровень вибрации и шума в течение всего периода работы. Используйте дополнительные меры безопасности для защиты оператора от воздействия вибрации, такие как своевременное обслуживание электроинструмента и вспомогательных устройств, контроль нагрева рукояток и правильная организация рабочих процессов.

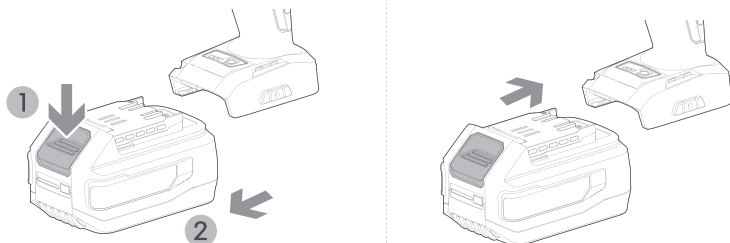


## Подготовка перед эксплуатацией

Примечание. Ознакомьтесь с руководством перед началом эксплуатации.

### 1 Установка/снятие аккумуляторной батареи

При установке или снятии аккумуляторной батареи убедитесь, что инструмент выключен. Для извлечения аккумуляторной батареи нажмите кнопку над ней и вытащите ее из инструмента. Для установки аккумуляторной батареи совместите выступ на ней с канавкой на корпусе инструмента, после чего задвиньте ее на место. Задвигайте ее, пока она не зафиксируется и не защелкнется. При неправильной установке возможно отсоединение аккумуляторной батареи от инструмента и нанесение травмы.



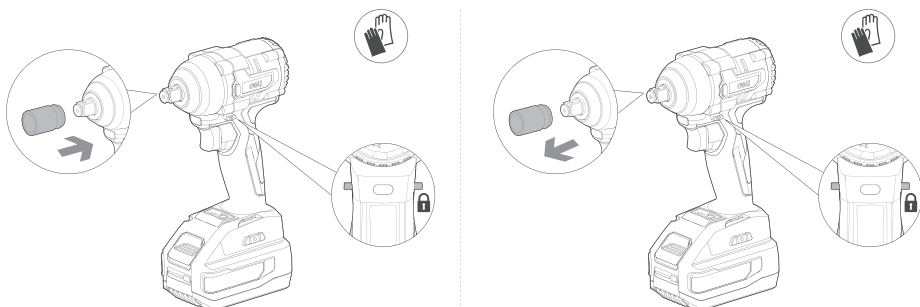
### 2 Установка/снятие ударной втулки



**Внимание!** Перед использованием выберите втулку правильного размера, подходящую для конкретных болтов и гаек, в противном случае возможна плохая затяжка или повреждение болтов и гаек.

Ударная втулка без уплотнительного кольца и штифта: совместив боковое отверстие втулки с квадратным штифтом, надавите на втулку и прижмите ее к направляющему штифту до щелчка. Положение можно отрегулировать легким постукиванием по втулке. Если втулку необходимо снять, просто потяните за нее.

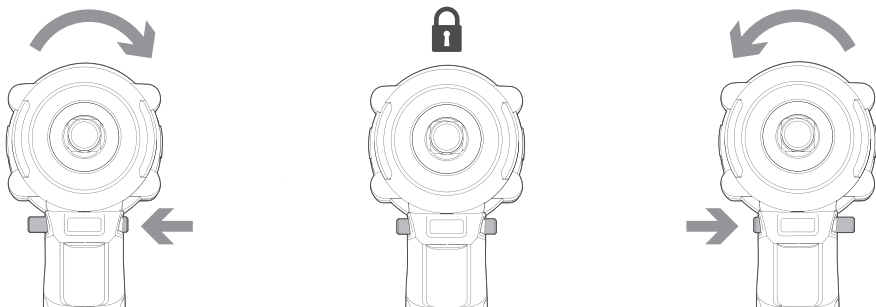
Ударная втулка с уплотнительным кольцом и штифтом: выдвиньте уплотнительное кольцо из канавки ударной втулки и извлеките штифт из ударной втулки. Установите ударную втулку на квадратный выходной вал, совместив отверстие на ударной втулке с отверстием на выходном валу. Пропустите штифт через отверстия в ударной втулке и выходном валу. После этого переместите уплотнительное кольцо в исходное положение в канавке ударной втулки для фиксации штифта. Для снятия ударной втулки выполните вышеуказанные действия в обратном порядке.





### 3 Переключение направления вращения

Данный инструмент оснащен рычажком, который позволяет изменять направление вращения патрона. Вращение по часовой стрелке используется для затягивания, а против часовой стрелки — для отвинчивания. При переключении направления вращения убедитесь, что инструмент находится в ненагруженном состоянии.



### 4 Изменение скорости вращения

Ударное действие можно изменять с помощью трех режимов: энергосберегающего режима, режима с большим усилием и режима с автоматической остановкой. Эти режимы подходят для различных условий эксплуатации.



## 5 Включение/выключение

Внимание: Чрезмерный крутящий момент может привести к повреждению болтов/гаек или втулки. Перед использованием обязательно протестируйте его и убедитесь в надежной фиксации втулки. Крепко удерживая инструмент, наденьте втулку на болт или гайку. Нажмите переключатель для включения инструмента, и крутящий момент будет соответствующим образом отрегулирован в зависимости от типа или размера болта и материала крепежа.

## 6 Светодиодная индикация



**Внимание! Убедитесь, что светодиодный индикатор включается при нажатии курка, когда рычажок переключения направления вращения находится в крайнем левом или правом положении.**

Данный инструмент оснащен системой защиты инструмента/аккумулятора. Эта система может автоматически отключать питание электродвигателя для продления срока службы инструмента и аккумулятора. Если инструмент или аккумулятор находятся в следующих условиях, происходит автоматическое отключение. В некоторых случаях загорается индикатор.

**Защита от перегрузки:** если при работе инструмента/аккумулятора возникает аномально высокий ток, произойдет автоматическое отключение. В этом случае выключите инструмент и прекратите работу, вызвавшую перегрузку. После этого включите инструмент для перезапуска.

**Защита от перегрева:** при перегреве инструмента/аккумулятора произойдет автоматическое отключение. В этом случае перед повторным включением подождите, пока инструмент остынет.

**Защита от переразряда:** данный инструмент автоматически отключается при снижении заряда батареи ниже минимального уровня. Если изделие не работает даже при нажатом курке-переключателе, извлеките аккумулятор и зарядите его.

**Срабатывание защиты по другим причинам:** система защиты также срабатывает в других ситуациях, которые могут привести к повреждению инструмента, автоматически останавливая работу инструмента. Если изделие не работает даже при нажатом курке-переключателе, выполните следующие действия, чтобы устранить причину остановки.

1. Выключите инструмент и снова его включите.
2. Зарядите аккумулятор или замените его на новый.
3. Подождите, пока инструмент и аккумулятор не остынут.

## Устранение неисправностей

### 1. Не получается вставить аккумуляторную батарею в зарядное устройство

Аккумуляторная батарея вставляется в зарядное устройство только в одном направлении. Поворачивайте аккумуляторную батарею, пока не получится вставить ее в отверстие зарядного устройства. Загорание красного индикатора после вставки аккумуляторной батареи в зарядное устройство указывает на начало процесса зарядки.

### 2. При использовании одного и того же аккумулятора время работы разное

Если аккумуляторная батарея не используется в течение длительного срока, это приводит к сокращению продолжительности ее работы и влияет на время зарядки. Продолжительность работы увеличивается после нескольких зарядок и использований. Энергия аккумуляторной батареи также быстро расходуется при выполнении энергоемкой работы. Не заряжайте аккумуляторную батарею при температуре ниже 0°C или выше 30°C, поскольку это тоже может повлиять на продолжительность ее работы.

## Техническое обслуживание



**Внимание!** Перед выполнением любых работ по замене деталей или техническому обслуживанию инструмента сначала обязательно вытащите вилку из розетки.

**Перед выполнением любых работ по замене деталей или техническому обслуживанию инструмента сначала обязательно вытащите аккумулятор.**

Данный электроинструмент не требует дополнительной смазки или обслуживания. Не очищайте электроинструмент водой или химическими чистящими средствами, просто протирайте его сухой тканью. Инструмент необходимо хранить в сухом месте, а вентиляционные отверстия двигателя следует содержать в чистоте. Старайтесь не использовать его в пыльной среде.

## Защита окружающей среды



### Утилизация отходов

В целях защиты окружающей среды, поврежденные инструменты, принадлежности и упаковочные материалы должны быть тщательно отсортированы для упрощения их переработки. Для облегчения сортировки и переработки, все пластмассовые детали имеют маркировку с указанием материала, из которого они изготовлены.

## Гарантийный талон продукта

### Уважаемые пользователи!

Благодарим вас за приобретение нашей продукции. Если приобретенное вами изделие вышло из строя из-за проблем с качеством, вы можете обратиться к местному дистрибьютору или в указанные пункты ремонта, приложив счет-фактуру и гарантийные талоны.

### Гарантийное уведомление:

1. От \_\_\_\_\_ (год/месяц/день) до \_\_\_\_\_ (год/месяц/день), Если выход из строя произошел при обычном использовании, наша компания предоставит бесплатную гарантию, замену деталей и другие услуги в зависимости от характера поломки.
2. Настоящий гарантийный талон и счет-фактура являются ваучером послепродажного обслуживания, предоставляемого нашей компанией клиентам. Вносить данные в талон следует только после заполнения следующей формы и скрепления официальной печатью дистрибьютора.
3. При возникновении одного из следующих случаев бесплатное гарантийное обслуживание является недействительным и взимается плата за ремонт:
  - ( 1 ) Истек срок службы изделия.
  - ( 2 ) Неисправность или повреждение вызванные несоблюдением требований руководства по эксплуатации изделия, техническому обслуживанию или неправильными условиями хранения.
  - ( 3 ) Неисправность или повреждение вызванные разборкой, ремонтом или модификацией изделия без разрешения нашей компании.
  - ( 4 ) Поломка или повреждение изделия, вызванные форс-мажорными обстоятельствами.
  - ( 5 ) Расходные материалы и принадлежности.

Настоящий талон выдан вместе с изделием. Один талон на одно изделие. Чтобы в полной мере воспользоваться правом на бесплатное гарантийное обслуживание, предоставляемое компанией, необходимо сохранить талон в целостности, утерянный талон замене не подлежит.

Дата покупки: \_\_\_\_\_ (год/месяц/день)

## Сертификат продукции

Контролирующий орган:

01

Дата производства:

### **NINGBO DELI TOOLS CO., LTD.**

№ 128 Chezhan West Road, Huangtan Town,

Ninghai County, Ningbo, Zhejiang, Chine

[delitoolsglobal@nbdeli.com](mailto:delitoolsglobal@nbdeli.com)

[www.delitoolsglobal.com](http://www.delitoolsglobal.com)

+86 574 87562689

СДЕЛАНО В КИТАЕ

**Сохранено для будущего использования**

Версия: 1.0

Дата: июнь 2022 г.



## بطاقة ضمان المنتج

المفتش:

01

تاريخ التصنيع:



NINGBO DELI TOOLS CO., LTD  
No. 128 Chezhan West Road, Huangtan Town  
Ninghai County, Ningbo, Zhejiang, China  
delitoolsglobal@nbdeli.com  
www.delitoolsglobal.com  
86+ 574 87562689  
صنع في الصين

ذه الاستمارة مُخصصة للاستخدام المستقبلي

إصدار: 1.0

التاريخ: يونيو 2022

## بطاقة ضمان المنتج

## أعزائي المستخدمين:

شكراً لاختياركم مُنتجنا. لضمان حصولكم على أقصى استفادة ممكنة، يمكن لعمالنا الاتصال بالوكيل المحلي أو بمحطات الصيانة المحددة عند حدوث أي عيوب في المنتج بسبب مشاكل في الجودة، وذلك باستخدام فاتورة الشراء وبطاقة الضمان.

## إشعار الضمان:

1. من \_\_\_\_\_ (اليوم/ الشهر/ السنة) إلى \_\_\_\_\_ (اليوم/ الشهر/ السنة)، بالضمان رضاكم، ستقدم شركتنا ضماناً مجانياً واستبدال القطع وأعمال الصيانة الأخرى عند حدوث أي عطل أثناء الاستخدام العادي، وذلك بما يتناسب مع طبيعة العطل المحدد.
2. تعد بطاقة الضمان هذه وفاتورة الشراء إثباتاً لخدمة ما بعد البيع التي تقدمها شركتنا للعملاء. يمكن تقديم طلب الحصول على بطاقة الضمان من خلال ملء النموذج التالي ووضع الختم الرسمي من قبل الموزع.
3. لن يتم تقديم خدمات الصيانة مجاناً ويتوجب دفع رسومها كاملة في حالة وجود إحدى الحالات التالية:
  - (1) تجاوز تاريخ الانتهاء؛
  - (2) عطل أو تلف المنتج نتيجة عدم اتباع متطلبات دليل المنتج أو الصيانة أو التخزين الصحيح؛
  - (3) العطل أو التلف الناتج عن تفكيك أو إصلاح أو تعديل المنتج بدون إذن من شركتنا؛
  - (4) العطل أو التلف الناتج عن القوة القاهرة؛
  - (5) الملحقات الاستهلاكية.

يتم إصدار هذه البطاقة مع المنتج. يرجى الاحتفاظ بطاقة ضمان المنتج بشكل صحيح، حيث تضمن هذه البطاقة حق الاستفادة من الخدمة المجانية للضمان التي تقدمها الشركة، علماً بأنه لا يمكن استبدالها في حالة الفقد.

تاريخ الشراء: \_\_\_\_\_ (اليوم/ الشهر/ السنة)

⚠ تحذير! يرجى التأكد من تشغيل ضوء LED عن طريق الضغط على المفتاح عندما تكون رافعة التوجيه في أقصى اليسار أو الوضع الأيمن.

هذه الأداة مزودة بأداة/نظام حماية البطارية. يمكن لهذا النظام أن يقطع تلقائيًا إمدادات الطاقة للمحرك لإطالة عمر الأداة والبطارية. إذا كانت الأداة أو البطارية في الظروف التالية أثناء التشغيل، فستتوقف الأداة تلقائيًا عن العمل. سيضيء ضوء المؤشر في بعض الحالات.

**الحماية من الحمل الزائد:** ستتوقف الأداة تلقائيًا عن العمل عند تشغيل الأداة/البطارية بطريقة تسبب تيارًا مرتفعًا بشكل غير طبيعي. في هذه الحالة، يرجى إيقاف تشغيل الأداة وإيقاف التطبيق الذي تسبب في زيادة تحميل الأداة. ثم قم بتشغيل الأداة لإعادة التشغيل.

**الحماية من الحرارة الزائدة:** ستتوقف الأداة تلقائيًا عن العمل عندما ترتفع درجة حرارة الأداة/البطارية. في هذه الحالة، يرجى انتظار تبريد الأداة قبل إعادة تشغيل الأداة.

**زيادة حماية التفرغ:** ستتوقف هذه الأداة تلقائيًا عن العمل عندما تنخفض طاقة البطارية المتبقية. إذا كان هذا المنتج لا يعمل حتى عند تشغيل المفتاح، فيرجى إزالة البطارية من الأداة وشحنها.

**الحذرة:** لا، باب أخرى: نظام الحماية مناسب أيضًا للحالات الأخرى التي قد تسبب ضررًا للأداة، وبالتالي توقف الأداة تلقائيًا عن التشغيل. عندما تتوقف الأداة مؤقتًا أو في منتصف الطريق عن العمل، قم بتنفيذ جميع الخطوات التالية للقضاء على سبب الشذوذ.

1. قم بإيقاف تشغيل الأداة وإعادة تشغيلها مرة أخرى.
2. شحن البطارية أو استبدالها ببطارية قابلة لإعادة الشحن.
3. يرجى انتظار تبريد الأدوات والبطارية.

## استكشاف الأخطاء وإصلاحها

1. لماذا لا يمكنني إدخال حزمة البطارية في الشاحن؟  
لا يمكن إدخال حزمة البطارية إلا في الشاحن في اتجاه واحد. قم بتدوير حزمة البطارية حتى يمكن إدخالها في فتحة الشاحن. عندما يضيء ضوء المؤشر الأحمر للشاحن حتى يمكن إدخال حزمة البطارية في ثقب الشاحن، فإنه يشير إلى أن الشحن يبدأ عندما يضيء ضوء المؤشر الأحمر للشاحن.
2. لماذا يختلف وقت عمل نفس حزمة البطارية؟  
إذا تُركت حزمة البطارية غير مستخدمة لفترة طويلة جدًا، فسوف تنقص وقت عملها، وهي مشكلة أوقات الشحن. سيتم تحسين هذا الوضع بعد عدة رسوم واستخدامات. سيتم أيضًا استهلاك طاقة حزمة البطارية بسرعة عند القيام بأعمال شاقة. لا تشحن حزمة البطارية في بيئات أقل من 0 درجة سيلزيوس أو أكثر من 30 درجة سيلزيوس، حيث يمكن أن يؤثر ذلك أيضًا على أدائها.

## الصيانة

⚠ تحذير! تأكد أولاً من سحب المقبس من مأخذ التيار الكهربائي قبل إجراء أي أعمال استبدال أو صيانة على الماكينة.

تأكد أولاً من سحب المقبس من مأخذ التيار الكهربائي قبل إجراء أي أعمال استبدال أو صيانة على الماكينة.

لا تتطلب أداة الطاقة الخاصة بك أي تشحيم أو صيانة إضافية. لا تنظف أدواتك الكهربائية باستخدام الماء أو عوامل التنظيف الكيميائية، فقط امسحها بقطعة قماش جافة. يجب تخزين الأدوات في بيئة جافة وتنظيفها عند فترات التهوية. بالإضافة إلى ذلك، حاول عدم استخدام الماكينة في بيئة ممتلئة.

## حماية البيئة

### التخلص من النفايات

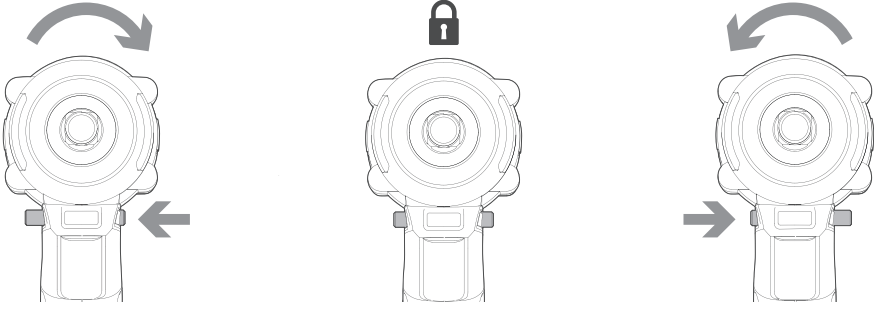
يجب تصنيف الآلات التالفة والمحفلات ومواد التغليف بعناية لتسهيل عملية إعادة تدويرها للحفاظ على البيئة. لتسهيل عملية الفرز وإعادة التدوير، يتم وضع علامات على جميع الأجزاء البلاستيكية للإشارة إلى نوع المواد المستخدمة فيها.





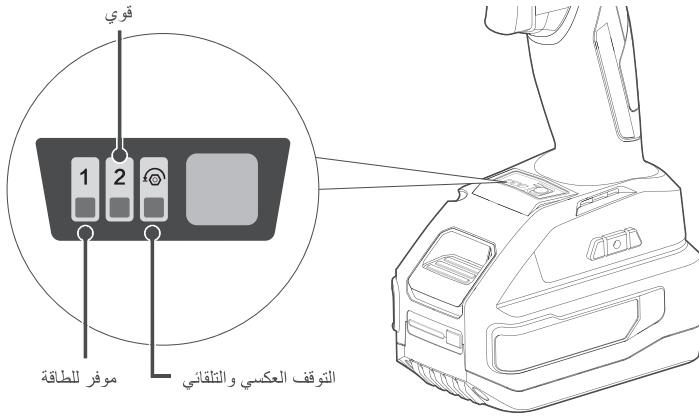
## 3 مقبض تعديل الاتجاه الأمامي والخلفي

هذه الآلة مزودة برافعة أمامية وعكسية، والتي يمكنها ضبط اتجاه دوران الآلة. في اتجاه عقارب الساعة للربط وعكس اتجاه عقارب الساعة للفك. يرجى التأكد من أن الجهاز في حالة تفريغ عند تبديل زر الاتجاه.



## 4 مفتاح تحكم في مختلف السرعات

يمكن تغيير وضع التأثير من خلال ثلاث تروس: توفير الطاقة، ووضع التوقف القوي والتلقائي. تلبية احتياجات ظروف التشغيل المختلفة.



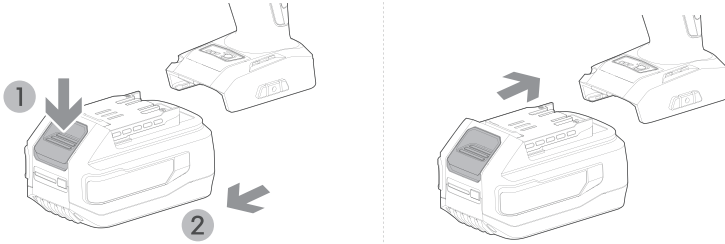
## 5 التشغيل / إيقاف التشغيل

تحذير: يمكن أن يؤدي عزم الدوران المفرط إلى إتلاف البراغي/المكسرات أو الأكمام. قبل الاستخدام، تأكد من تجربته والتأكد من ضيق الكم. امسك الأداة بإحكام وضع الكم على الترياس أو الصامولة. اضغط على المفتاح لتشغيله، وسيتم تعديل عزم الدوران بشكل مناسب اعتمادًا على نوع أو حجم الترياس ومادة المثبت.

ملاحظة: اقرأ دليل التعليمات قبل التشغيل.

## 1 قم بتثبيت/إزالة حزمة البطارية

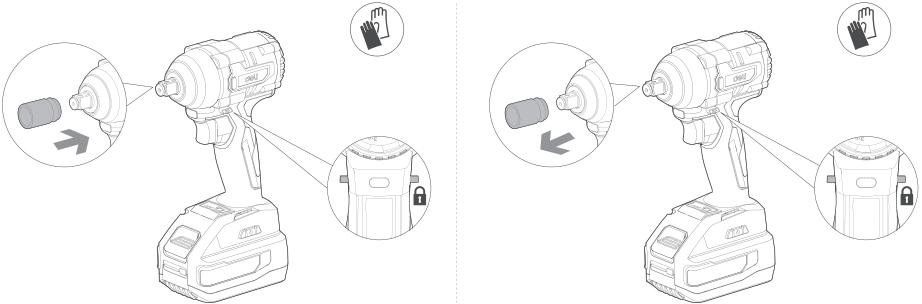
عند تثبيت حزمة البطارية أو إزالتها، يرجى التأكد من أن الجهاز في حالة إغلاق؛  
عند إزالة حزمة البطارية، اضغط على الزر فوق حزمة البطارية أثناء سحبها من الأداة؛  
عند تثبيت حزمة البطارية، قم بمحاذاة القصب على البطارية مع الأخدود الموجود على سكن الماكينة، ثم قم بتحريكه في مكانه. أدخله بالكامل في مكانه حتى يتم قفل حزمة البطارية والنقر عليه. إذا لم يتم تثبيتها بشكل صحيح، فقد يتسبب ذلك في انفصال حزمة البطارية عن الأداة والتسبب في إصابة شخصية.

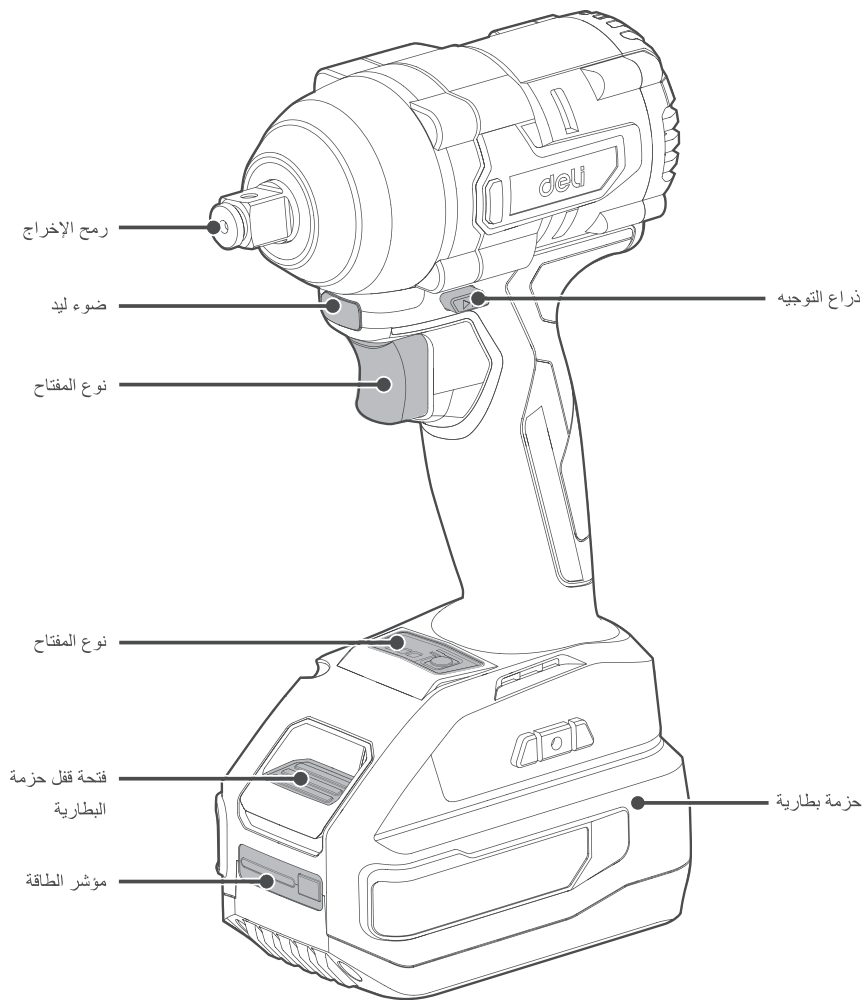


## 2 قم بتثبيت/إزالة كم الصدم

**⚠ تحذير!** يرجى تحديد الكم الذي له الحجم الصحيح والمناسب للمسامير والمكسرات قبل الاستخدام، وإلا فقد يتسبب في عزم دوران غير دقيق أو تلف للمسامير والصواميل.

كم الصدم بدون حلقة O ودبوس: بعد محاذاة الفتحة الجانبية للكم بالدبوس المربع، ادفع الكم واضغط عليه على الظفر الاتجاهي حتى ينقر في مكانه. يمكن ضبط الموضع عن طريق النقر برفق على الكم. إذا كنت بحاجة إلى إزالة الكم، فما عليك سوى سحبه.  
كم الصدم مع حلقة O ودبوس: حرك الحلقة O من أخدود كم الاصطدام وأزل الدبوس من كم الصدم. ضع كم الاصطدام على عمود الإخراج المربع، مع محاذاة الفتحة الموجودة على كم الاصطدام بالثقب الموجود على عمود الإخراج. مرر الدبوس عبر الثقوب الموجودة على كم الاصطدام وعمود الإخراج. ثم قم بنقل الحلقة O مرة أخرى إلى وضعها الأصلي في أخدود كم الاصطدام لتأمين الدبوس. يرجى اتباع الخطوات المعاكسة كما هو الحال أثناء التثبيت عند إزالة كم الاصطدام.





قيم الاهتزاز الكلية ah (مجموع متجه ثلاثي) وعدم التأكيد K المحددة وفقاً لـ EN 62841-2-6:

الحفر في المواد المعدنية  $ah = 4,5 \text{ m/s}^2$ ،  $K = 1,5 \text{ m/s}^2$  تم قياس مستوى الاهتزاز وقيمة انبعاث الضوضاء الواردة في هذه التعليمات وفقاً لإجراء قياس موحد ويمكن استخدامها لمقارنة أدوات الطاقة. كما يمكن استخدامها في تقدير أولي لانبعاثات الاهتزازات والضوضاء. يمثل مستوى الاهتزاز المعلن وقيمة انبعاث الضوضاء التطبيقات الرئيسية لأداة الطاقة. ومع ذلك، إذا تم استخدام أداة الطاقة لتطبيقات أخرى، مع أدوات تطبيق مختلفة أو تم صيانتها بشكل سيئ، فقد يختلف مستوى الاهتزاز وقيمة انبعاث الضوضاء. قد يؤدي هذا إلى زيادة انبعاثات الاهتزاز والضوضاء بشكل كبير خلال فترة العمل الإجمالية. لتقدير انبعاثات الاهتزازات والضوضاء بدقة، يجب أيضاً مراعاة الأوقات التي يتم فيها إيقاف تشغيل الأداة أو وقت تشغيلها ولكن لا يتم استخدامها بالفعل.

قد يقلل هذا بشكل كبير من انبعاثات الاهتزازات والضوضاء خلال فترة العمل الإجمالية. تنفيذ تدابير أمان إضافية لحماية المشغل من آثار الاهتزاز، مثل خدمة أداة الطاقة وأدوات التطبيق، والحفاظ على تدفئة أيديهم، وتنظيم سير العمل بشكل صحيح.

3. عندما لا تكون حزمة البطارية قيد الاستخدام، ابتعدوا عن الأشياء المعدنية الأخرى، مثل المشابك الورقية أو العملات المعدنية أو المفاتيح أو الأظافر أو البراغى أو غيرها من الأشياء المعدنية الصغيرة، التي يمكنها الاتصال من محطة إلى أخرى. قد يتسبب تقصير محطات البطارية معاً في حدوث حروق أو حريق.
4. يجوز إخراج السائل من البطارية في ظروف تصفية؛ تجنب الاتصال. إذا حدث الاتصال عن طريق الخطأ، اغسله بالماء إذا لامس السائل العين، فاطلب المساعدة الطبية أيضاً. قد يسبب السائل القادم من البطارية تهيجاً أو حرقاً.
5. لا تستخدم حزمة بطارية أو أداة تالفة أو معطلة. قد تظهر البطاريات التالفة أو المعطلة سلوكاً لا يمكن التنبؤ به مما يؤدي إلى حريق أو انفجار أو خطر الإصابة.
6. لا تعرض حزمة بطارية أو أداة للحريق أو درجة حرارة مفرطة. قد يتسبب التعرض للحريق أو درجة الحرارة التي تزيد عن 130 درجة مئوية في حدوث انفجار.
7. اتبع جميع تعليمات الشحن ولا تشحن حزمة البطارية أو الأداة خارج نطاق درجة الحرارة المحدد في التعليمات. قد يؤدي الشحن بشكل غير صحيح أو في درجات حرارة خارج النطاق المحدد إلى إتلاف البطارية وزيادة خطر نشوب حريق.

#### الخدمة

1. لا تقم بصيانة الأداة الكهربائية التي لديك إلا بواسطة فني إصلاح مؤهل لاستخدام قطع غير متطابقة. وذلك للحفاظ على سلامة الأداة الكهربائية.
2. لا تقدم أبداً حزم البطاريات التالفة. يجب أن يتم توفير خدمة عيوب البطاريات من قبل الشركة المصنعة أو مزودي الخدمة المعتمدين فقط.

#### تحذيرات السلامة الخاصة بالمرطبة

#### تعليمات السلامة لجميع أعمال التشغيل

1. ارتداء واقيات الأذن. قد يتسبب التعرض للضواء في فقدان السمع.
2. استخدام المقبض (المقابض) الملحقة، إذا كانت مرفقة مع الجهاز. قد يتسبب فقدان السيطرة على الجهاز في وقوع إصابة شخصية.
3. أحكم ربط الجهاز كما ينبغي قبل استخدامه. يُولد هذا الجهاز عزم دوران عالٍ، لذا عند عدم إحكام ربطه كما ينبغي أثناء التشغيل فإنه يتسبب في فقدان السيطرة مما ينتج عن وقوع إصابات شخصية.
4. امسك الأداة الكهربائية بمقابض ذات أسطح عازلة فقط عند التشغيل، حيث توجد إمكانية مساس ملحق القطع بالأسلاك المخفية أو السلك المتصل بها. قد يؤدي قطع الملحقات الملامسة للأسلاك "المكهربة" إلى جعل الأجزاء المعدنية المكشوفة من أداة الطاقة "المكهربة" وقد يصيب عامل التشغيل بصدمة كهربائية.

#### إرشادات السلامة المتبعة عند استخدام لقم الحفر مع المطارق الدوارة

1. ابدأ دائماً بالحفر على سرعة منخفضة بحيث يكون طرف اللقمة ملامساً لسطح العمل. عند الحفر على سرعة عالية، تلتوي اللقمة إذا دارت بشكل حر دون ملامستها لسطح العمل وقد ينتج عن ذلك وقوع إصابات شخصية.
2. اضغط قليلاً في خط مباشر باستخدام اللقمة وتجنب الضغط الشديد. قد تلتوي اللقمة مما ينتج عن ذلك كسرها أو فقدان السيطرة على الجهاز مما يؤدي إلى وقوع إصابات شخصية.

#### معلومات عن الضوضاء / الاهتزازات

قيم انبعاثات الضوضاء المحددة وفقاً لـ EN 62841-2-6.

عادةً ما يكون مستوى الضوضاء الموزون لأداة الطاقة هو: مستوى ضغط الصوت 83 ديسيبل (A)؛ مستوى الطاقة الصوتية 94 ديسيبل (A). عدم الاستقرار عندما  $K = 5$  ديسيبل. يرجى ارتداء واقيات السمع!

4. إزالة أي مفتاح ضبط أو مفتاح ربط قبل تشغيل الأدوة الكهربائية. حيث إنه من المتوقع أن يتسبب ترك هذا المفتاح معلقاً بالجزء الدوار بالآلة في وقوع إصابات شخصية.
5. لا تقرب بشدة من الجهاز. واحرص على ثبات موطى القدم والتوازن في جميع الأوقات. فينكذ يمكنك التحكم في الأدوة الكهربائية بشكل أفضل في المواقف غير المتوقعة.
6. ارتداء الملابس اللزامة. لا ترتدي ملابس فضفاضة أو مجوهرات. احرص على ابعاد شعرك وملابسك عن الأجزاء المتحركة. يمكن للملابس الفضفاضة أو المجوهرات أو الشعر الطويل أن يعلق في الأجزاء المتحركة.
7. في حال توفير أجهزة لتوصيل مراقف شقظ الغيار وتجميعه، فتأكد من توصيلها واستخدامها بشكل صحيح. استخدام أنظمة تجميع الغيار من شأنه الحد من المخاطر المرتبطة بالآلية.
8. لا تدع المعرفة المكتسبة من الاستخدام المتكرر للأدوات توهي لك بالشعور بالرضا وتجاهل مبادئ سلامة الأدوة. الإهمال قد يتسبب في إصابة خطيرة في غضة عين.

## سلامة منطقة العمل

1. حافظ على مساحة العمل نظيفة وجيدة الإضاءة. المناطق الفوضوية أو المظلمة قد تسبب في وقوع الحوادث.
2. لا تقم بتشغيل الأدوات الكهربائية في الأجواء المتفجرة، مثل وجود سوائل قابلة للاشتعال أو غازات أو غبار. ينتج عن الأدوات الكهربائية شرارات قد تتسبب في اشتعال الغبار أو الأبخرة.
3. احرص على إبقاء الأطفال والمارة بعيداً أثناء تشغيل الأدوة الكهربائية. قد تفقد السيطرة نتيجة التشتت.

## السلامة الكهربائية

1. يجب أن تتناسب مقابس الآلة الكهربائية مع المنفذ. ممنوع تماماً تعديل القابس بأي شكل من الأشكال. لا تستخدم أي مقابس تحويل مع الأدوة الكهربائية الموزعة. المقابس غير الموحدة والمخارج الكهربائية المطابقة تقلل من خطر التعرّض للصعق الكهربائي.
2. تجنب ملامسة جسدك للأسطح الموزعة، مثل الأنايب والمشعات والمواقف والمثالات. يتزايد خطر التعرّض للصعق الكهربائي في حالة تآريض جسدك.
3. لا تعرّض الأدوة الكهربائية للمطر أو الظروف الجوية الرطبة. دخول المياه إلى الأدوة الكهربائية يزيد من خطر التعرّض للصعق الكهربائي.
4. لا تسيء استعمال السلك الكهربائي. ممنوع تماماً حمل الأدوة الكهربائية أو سحبها أو فصلها باستخدام السلك. ابعده السلك عن الحرارة أو الشحوم أو الحواف الحادة أو الأجزاء المتحركة. الأسلاك التالفة أو المشابكة تزيد من خطر التعرّض للصعق الكهربائي.
5. يرجى استخدام كابل إطلعة مناسب للاستخدام الخارجي، عند تشغيل الآلة الكهربائية في الهواء الطلق. استخدام سلك مناسب للاستخدام في المناطق الخارجية يقلل من خطر التعرّض للصعق الكهربائي.
6. في حال أصبح تشغيل الآلة في مكان رطب أمراً لا مفر منه، استخدم وحدة إمداد كهربائية محمية بالتيار المتبقي (RCD). استخدام قاطع دائرة التيار المتبقي (RCD) يقلل من خطر التعرّض للصعق الكهربائي.

## السلامة الشخصية

1. كن حذراً، وانتهبه لما تقوم به وانتهبه عند تشغيلك للأدوة الكهربائية. لا تستخدم الأدوة الكهربائية إذا كنت مرهقاً أو تحت تأثير العقاقير أو الكحوليات أو الأدوية. قد تؤدي الغفلة للحظة واحدة أثناء تشغيل الأدوات الكهربائية إلى تعرض الأشخاص لإصابة خطيرة.
2. استخدم معدات الوقاية الشخصية. احرص دائماً على ارتداء نظارات حماية العين. معدات الوقاية مثل كاماة الغبار أو أذنية السلامة غير القابلة للارتزلاق أو القبعة الصلبة أو واقبات السمع مستقل من حوادث الإصابات الشخصية.
3. الحيلولة دون بدء التشغيل غير المقصود. تأكد من أن المفتاح في وضع إيقاف التشغيل قبل توصيل القابس بمصدر الطاقة و / أو تركيب حزمة البطارية، أو عند التقاط أو حمل الأدوة الكهربائية الكهربية وإصبعك على المفتاح أو أدوات الإمداد الكهربائي التي تحتوي على مفتاح قد يتسبب في وقوع حوادث.

## استخدام الأدوات الكهربائية والعناية بها

1. إعادة الشحن فقط بإشاحن الممدن من قبل الشركة المصنعة. قد يؤدي استخدام الشاحن المناسب لنوع واحد من حزمة البطارية إلى خطر نشوب حريق عند استخدامه مع حزمة بطارية أخرى.
2. استخدم أدوات الطاقة فقط مع حزم بطاريات محددة على وجه التحديد. قد يؤدي استخدام أي عبوات بطارية أخرى إلى خطر الإصابة والحريق.

الطرز	DE-BS20-1D2
القيمة المُقدرة للجهد الكهربى	20 فولت
عزم دوران ماكس	350 نانو متر .
السرعة دون تحميل	0-2300/2800 دورة في الدقيقة
عدد الضربات	0-3200/3600 ipm
قطر العجلة	12.7 ملم
وزن الماكينة	1.1 كجم

**⚠ تحذير!** يرجى استخدام حزم البطاريات وأجهزة الشحن المدرجة فقط. قد يؤدي استخدام أي عيوب بطارية أخرى إلى خطر الإصابة والحريق.

'نصح باختيار الملحقات من مكان الشراء الأصلي للأداة الكهربائية. يُرجى اختيار الملحقات الصحيحة التي تحتاجها لإنجاز عملك. يُرجى الاطلاع على حزمة الملحقات لتحقيق الاستخدام الأفضل للجهاز والمساعدة.

2.0 أمبير في الساعة	DE-DC20A2	حزمة بطارية
2.5 أمبير في الساعة	DE-DC20A3	
4.0 أمبير في الساعة	DE-DC20A4	
5.0 أمبير في الساعة	DE-DC20A5	
6.0 أمبير في الساعة	DE-DC20A6	
8.0 أمبير في الساعة	DE-DC20B8	
2A شحنة واحدة	DE-CD20A2E	شاحن
4A شحنة مزدوجة	DE-CD20D4E	
8A شحنة واحدة	DE-CD20A8E	

الرموز

لا تضع هذه الأداة الكهربائية في الماء 	يرجى ارتداء القفازات الواقية 	علامة التحذير 	اقرأ دليل التعليمات 
لا تضع هذه الأداة الكهربائية في النار 	قفل 	يرجى ارتداء النظارات الواقية 	يرجى ارتداء أغطية الأذن الواقية 
	سرعة منخفضة 	سرعة عالية 	يرجى ارتداء أقتعة الواقية 
تحتوي البطاريات على أيون الليثيوم. لحماية البيئة، يجب فرز البطاريات المهملة وإعادة تدويرها، ولا ينبغي القواها في سلة المهملات.	 Li-Ion	فتحة الثقب 	فتحة الثقب 
	 Li-Ion	مفك البراغي 	مفك البراغي 







